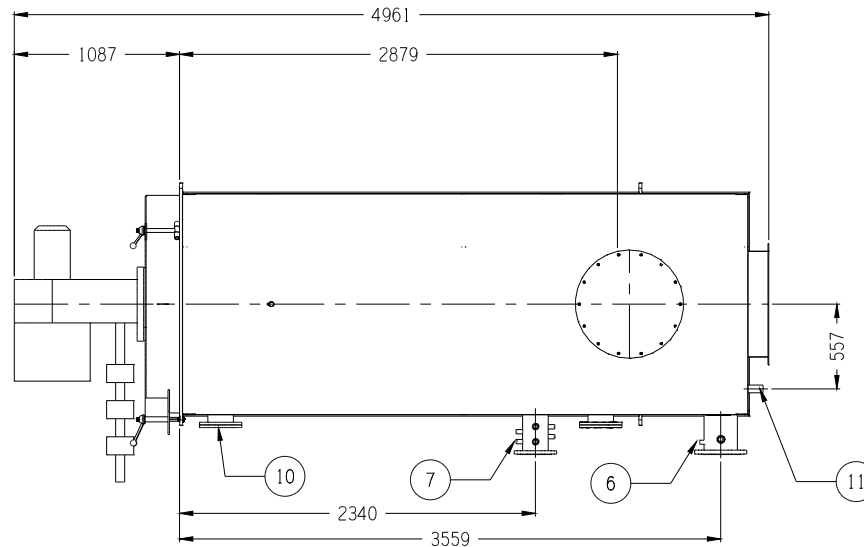


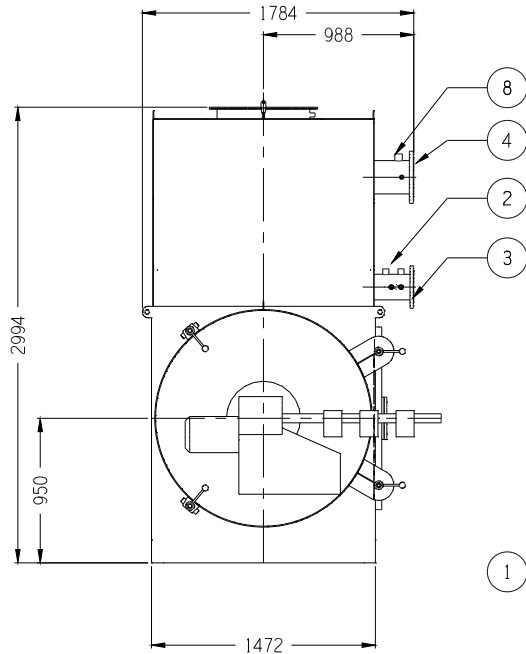
14 HOLES Ø14
ON 665 PCD

FLUE FLANGE DETAIL

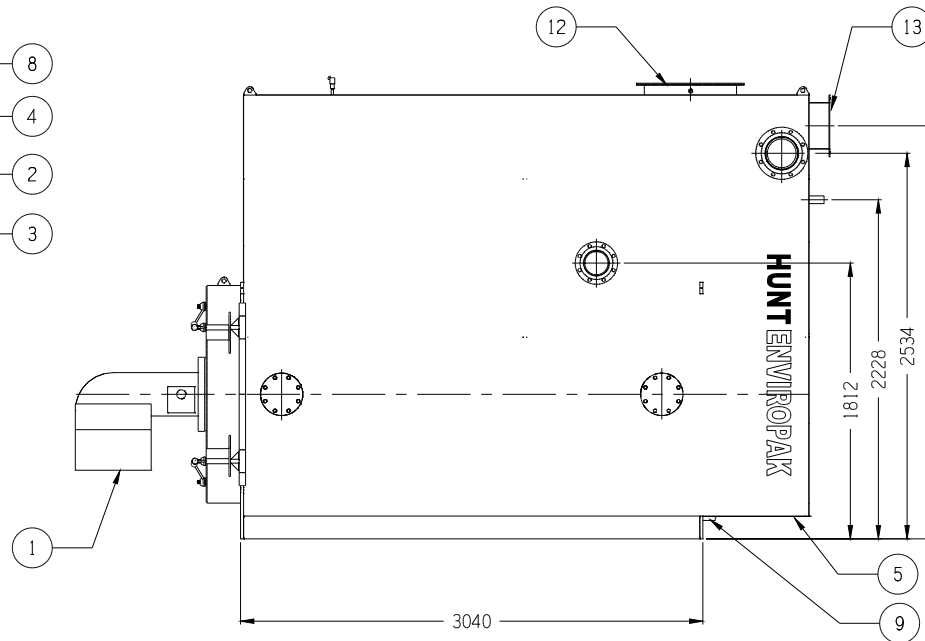
NOTE:
NO VERTICAL LOADS PERMITTED
ALL CONNECTIONS MUST BE SELF SUPPORTING



PLAN VIEW



FRONT ELEVATION



SIDE ELEVATION

IN THE INTEREST OF CONTINUOUS IMPROVEMENT HUNT BOILERS RESERVES THE RIGHT TO CHANGE THE SPECIFICATIONS OF ITS PRODUCTS WITHOUT PRIOR NOTICE.

SPECIFICATIONS:

HUNT ENVIROPAK SERIES
HOT WATER CONDENSING BOILER
MODEL: H-ENV-2000 (2000KW)
DESIGN REFERENCE: AS1210-1997 (3)
CLASS: 3



DEIGNATION NUMBER: AS1210-3
OUTPUT CAPACITY: 2000 kW
MAX. OPERATING TEMPERATURE: 99°C
MAX. OPERATING PRESSURE: 760 kPa
DESIGN PRESSURE: 800 kPa
TEST PRESSURE: 1200 kPa
INPUT: * 8255 MEGAJOULES/hr
OUTPUT: 7200 MEGAJOULES/hr
WATER CONTENT: 2153 LITRES
DRY WEIGHT: 4295 kg

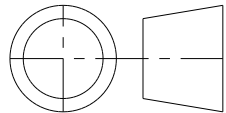
HAZARD LEVEL TO AS4343-2005	
OPEN VENTED	"E"
>65°C <90°C	"C"
≥90°C <100°C	"B"

WATER FLOW RATE kg/sec	ΔT10°C	48.82
	ΔT15°C	56.85
WATER PRESSURE DROP kPa	ΔT15°C	32.59
	ΔT20°C	27.37
	ΔT20°C	24.47
	ΔT20°C	14.66

* = BASED ON 65°C WATER INLET TO 80°C WATER OUTLET

ITEM	DESCRIPTION	TYPE	STYLE	SIZE	QTY
13	SQUARE FLUE CONNECTION	FLANGED	-	692x300	1
12	ROUND FLUE CONNECTION	FLANGED	-	500mm	1
11	RECOVERY CONDENSATE	STUB	-	50mm	1
10	INSPECTION OPENING	FLANGED	TABLE "E"	150NB	2
9	DRAIN CONNECTION	STUB	BSP	25NB	1
8	LOW LEVEL PROBE CON	STUB	BSP	32NB	1
7	TEMPERATURE GAUGE	BIMETAL	0-150°C	-	1
6	PRESSURE GAUGE	BOURDON	0-1000kPa	-	1
5	HEATER CONDENSATE	STUB	BSP	25NB	1
4	RETURN CONNECTION	FLANGED	ANSI 150	200NB	1
3	FLOW CONNECTION	FLANGED	ANSI 150	150NB	1
2	SAFETY VALVE	BRONZE	FULL LIFT	32NB	2
1	BURNER	FORCED DRAFT	GUN	-	1

REV	REVISION NOTE	DATE	CKD
A	ORIGINAL ISSUE	07/01/09	



THIRD ANGLE PROJECTION

HUNT BOILERS

A Division of Forbes (Aust) Pty Ltd

THIS DRAWING WAS PREPARED BY HUNT BOILERS. THE INFORMATION IT CONTAINS IS CONFIDENTIAL AND MUST NOT BE USED, DISCLOSED OR REPRODUCED WITHOUT WRITTEN AUTHORITY.

ALL DIMENSIONS IN MILLIMETERS	DRAWN: P.C.H.	DESCRIPTION: H-ENV-2000 (2000KW) HOT WATER CONDENSING BOILER DESIGN RE: #SD20050162-1
DO NOT SCALE THIS DRAWING	DATE: 07/01/09	
COMPUTER AIDED DRAFT	CHECKED: ***	DRAWING No: H-ENV-2000 GA