

SPECIFICATIONS:

HUNT ENVIROPAK SERIES  
HOT WATER CONDENSING BOILER  
MODEL: H-ENV-2500 (2500kW)  
DESIGN REFERENCE: AS1210-1997 (Amdt. 3)  
CLASS: 3

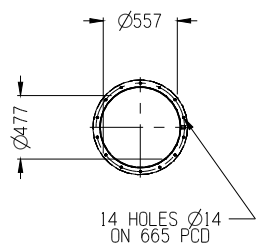
DESIGNATION NUMBER: AS1210-3  
OUTPUT CAPACITY: 2500 kW  
MAX. OPERATING TEMPERATURE: 99°C  
MAX. OPERATING PRESSURE: 570 kPa  
DESIGN PRESSURE: 600 kPa  
TEST PRESSURE: 982 kPa  
INPUT: \* 10319 MEGAJOULES/hr  
OUTPUT: 9000 MEGAJOULES/hr  
WATER CONTENT: 2975 LITRES  
DRY WEIGHT: 5850 kg

HAZARD LEVEL TO AS4343-2005	
OPEN VENTED	"E"
>65°C <90°C	"C"
≥90°C <100°C	"B"

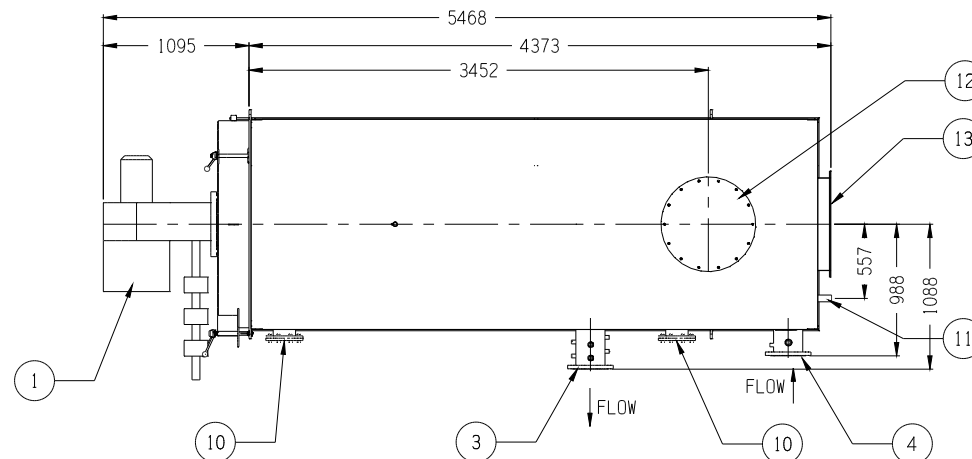
WATER FLOW RATE kg/sec	ΔT10°C		*
	61.03	86.59	
WATER PRESSURE DROP kPa	ΔT15°C		
	40.74	40.55	
		ΔT20°C	
		30.59	
		23.34	

\* = BASED ON 65°C WATER INLET TO 80°C WATER OUTLET

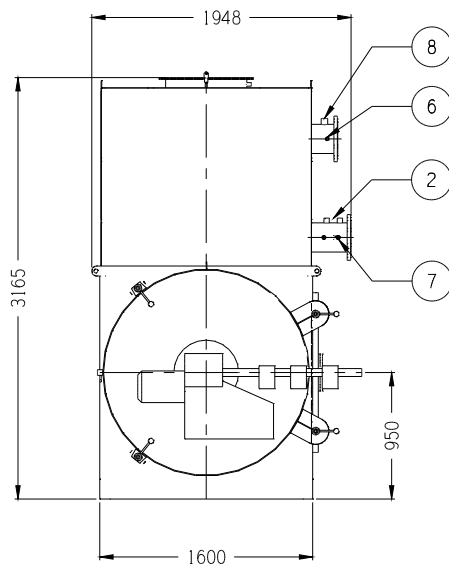
ITEM	DESCRIPTION	TYPE	STYLE	SIZE	QTY
13	SQUARE FLUE CONNECTION	FLANGED	-	692x300	1
12	ROUND FLUE CONNECTION	FLANGED	-	600mm	1
11	RECOVERY CONDENSATE	STUB	BSP	50mm	1
10	INSPECTION OPENINGS	FLANGE	TABLE 'E'	150NB	2
9	DRAIN CONNECTION	STUB	BSP	25NB	1
8	LOW LEVEL PROBE CON	STUB	BSP	32NB	1
7	TEMPERATURE GAUGE	BIMETAL	0-150°C		1
6	PRESSURE GAUGE	BOURDON	0-1000kPa		1
5	HEATER CONDENSATE	STUB	BSP	25NB	1
4	RETURN CONNECTION	FLANGE	ANSI 150	200NB	1
3	FLOW CONNECTION	FLANGE	ANSI 150	200NB	1
2	SAFETY VALVE	BRONZE	FULL LIFT	32NB	2
1	BURNER	FORCED DRAFT	GUN		1



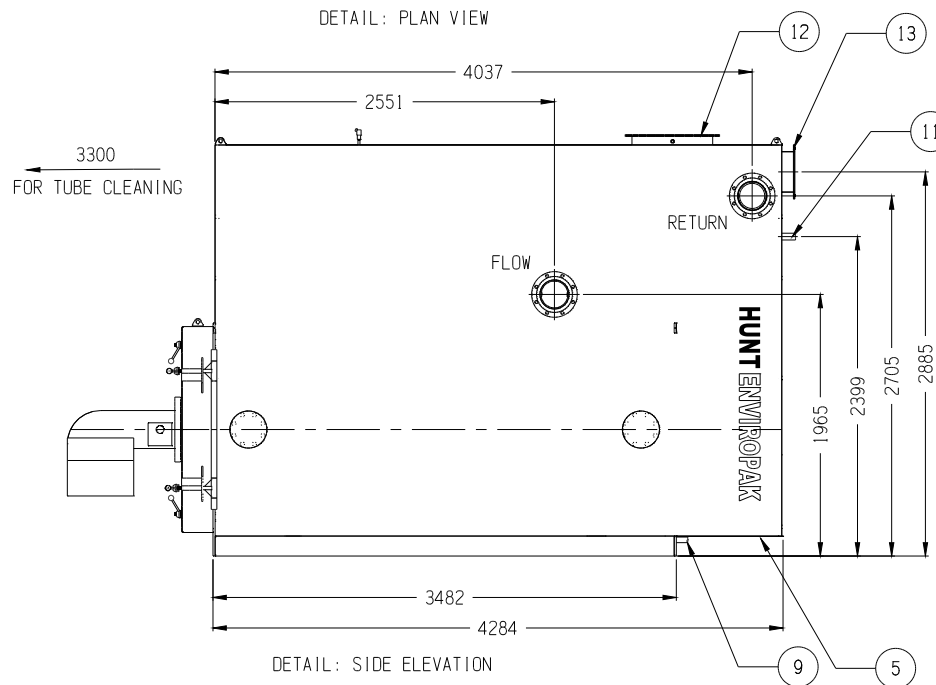
DETAIL: STACK FLANGE



DETAIL: PLAN VIEW



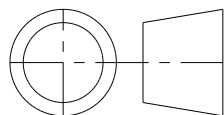
DETAIL: FRONT ELEVATION



DETAIL: SIDE ELEVATION

IN THE INTEREST OF CONTINUOUS IMPROVEMENT HUNT BOILERS RESERVES THE RIGHT TO CHANGE THE SPECIFICATIONS OF IT'S PRODUCTS WITHOUT PRIOR NOTICE.

REV	REVISION NOTE	DATE	CKD
A	ORIGINAL ISSUE	03/02/09	



THIRD ANGLE PROJECTION

**HUNT BOILERS**  
A Division of Forbes (Aust) Pty Ltd

THIS DRAWING WAS PREPARED BY HUNT BOILERS. THE INFORMATION IT CONTAINS IS CONFIDENTIAL AND MUST NOT BE USED, DISCLOSED OR REPRODUCED WITHOUT WRITTEN AUTHORITY.

ALL DIMENSIONS IN MILLIMETERS	DRAWN: P.C.H.	DESCRIPTION: H-ENV-2500 (2500KW) HOT WATER CONDENSING BOILER GENERAL ARRANGEMENT DESIGN REG:- TBA
DO NOT SCALE THIS DRAWING	DATE: 03/02/09	
COMPUTER AIDED DRAFT	CHECKED: ***	DRAWING No: H-ENV-2500 GA