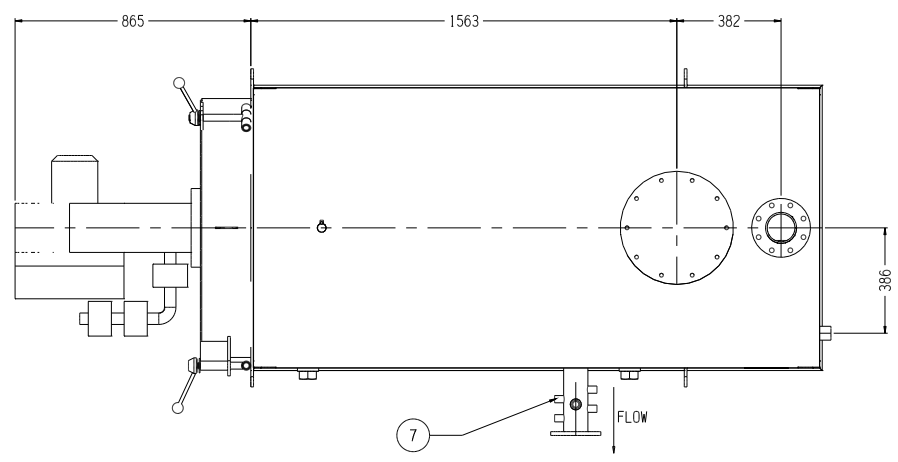
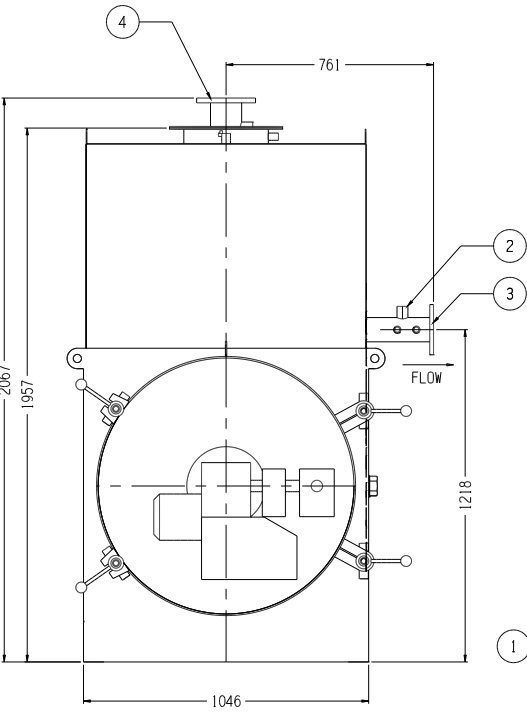


FLUE FLANGE DETAIL:

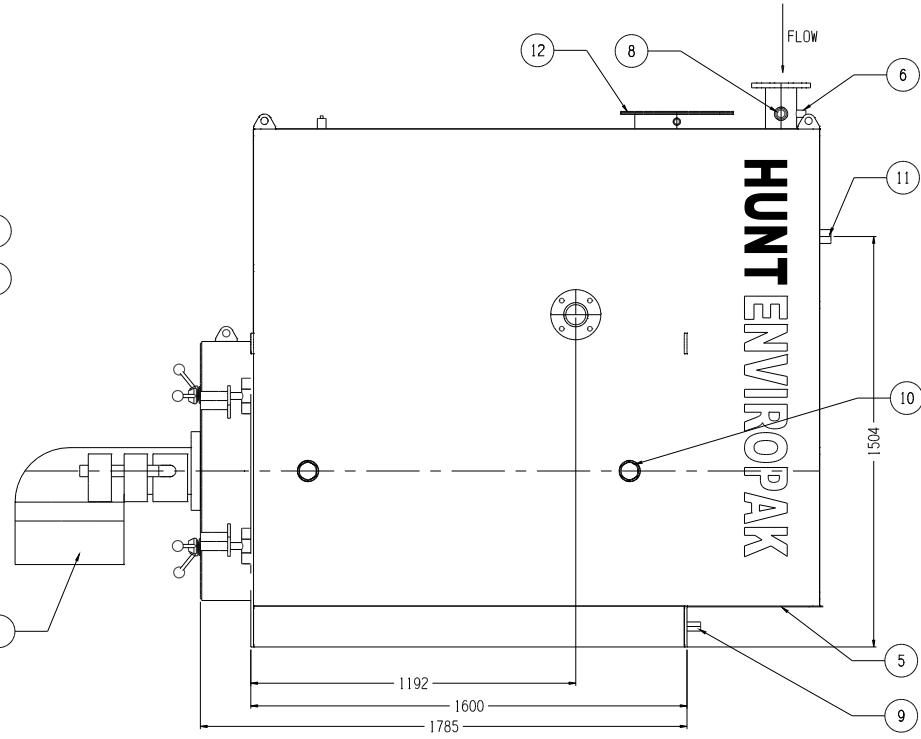
NOTE:  
NO VERTICAL LOADS PERMITTED  
ALL FLUES MUST BE SELF SUPPORTING



PLAN VIEW



FRONT ELEVATION



SIDE ELEVATION

**IN THE INTEREST OF CONTINUOUS IMPROVEMENT HUNT BOILERS RESERVES THE RIGHT TO CHANGE THE SPECIFICATIONS OF IT'S PRODUCTS WITHOUT PRIOR NOTICE.**

SPECIFICATIONS:

HUNT ENVIROPAK  
HOT WATER CONDENSING BOILER  
MODEL: H-ENV-400 (400KW)  
DESIGN REFERENCE: AS1210-1997 (3)  
CLASS: 3

DESIGNATION NUMBER: AS1210-3  
OUTPUT CAPACITY: 400 kW  
MAX. OPERATING TEMPERATURE: 99°C  
MAX. OPERATING PRESSURE: 570 kPa  
DESIGN PRESSURE: 600 kPa  
TEST PRESSURE: 900 kPa  
INPUT: \* 1651 MEGAJOULES/hr  
OUTPUT: 1440 MEGAJOULES/hr  
WATER CONTENT: 690 LITRES  
DRY WEIGHT: 1470 kg



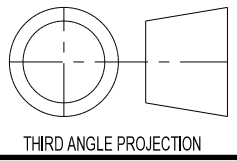
HAZARD LEVEL TO AS4343-2005	
OPEN VENTED	"E"
>65°C <90°C	"E"
≥90°C <100°C	"C"

WATER FLOW RATE Kg/sec	ΔT10°C	9.76
	ΔT15°C	6.80
WATER PRESSURE DROP kPa	ΔT15°C	6.52
	ΔT20°C	3.15
	ΔT20°C	4.89
		2.00

\* = BASED ON 65°C WATER INLET TO 80°C WATER OUTLET

12	FLUE CONNECTION	FLANGE	SEE DETAIL	300 ID	1
11	RECOVERY CONDENSATE	STUBB	BLANK	50mm	1
10	INSPECTION OPENINGS	SOCKET	BSP	50NB	2
9	DRAIN CONNECTION	STUB	BSP	25NB	1
8	LOW LEVEL PROBE CON	STUB	BSP	32NB	1
7	TEMPERATURE GAUGE	BIMETAL	0-150°C		1
6	PRESSURE GAUGE	BOURDON	0-1000kPa		1
5	HEATER CONDENSATE	STUB	BSP	20NB	1
4	RETURN CONNECTION	FLANGE	ANSI 150	100NB	1
3	FLOW CONNECTION	FLANGE	ANSI 150	80NB	1
2	SAFETY VALVE	BRONZE	FULL LIFT	25NB	1
1	BURNER	FORCED DRAFT	GUN		1
ITEM	DESCRIPTION	TYPE	STYLE	SIZE	QTY

REV	REVISION NOTE	DATE	CKD
A	ORIGINAL ISSUE	06/10/08	



**HUNT BOILERS**  
A Division of Forbes (Aust) Pty Ltd

THIS DRAWING WAS PREPARED BY HUNT BOILERS. THE INFORMATION IT CONTAINS IS CONFIDENTIAL AND MUST NOT BE USED, DISCLOSED OR REPRODUCED WITHOUT WRITTEN AUTHORITY.  
AUSTRALIAN MADE = AUSTRALIAN JOBS

ALL DIMENSIONS IN MILLIMETERS	DRAWN: P.C.H.	DESCRIPTION: HUNT ENVIROPAK 400 (400KW) HOT WATER CONDENSING BOILER DESIGN REG. SD 05124-1
DO NOT SCALE THIS DRAWING	DATE: 06/10/08	
COMPUTER AIDED DRAFT	CHECKED: ***	DRAWING No: H-ENV-400 GA