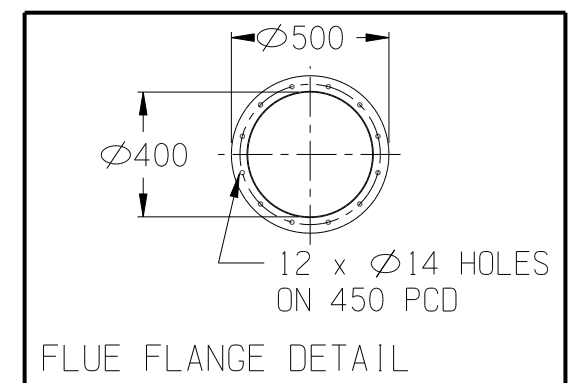


NOTE: STRESSES ASSOCIATED WITH EXTERNAL OR ENVIRONMENTAL EFFECTS HAVE NOT BEEN CONSIDERED IN THIS DESIGN. ANY PROJECT SPECIFIC LOADINGS WILL REQUIRE EVALUATION TO ENSURE THAT THEY DO NOT APPLY NEW LOADS NOT ALLOWED FOR IN THIS DESIGN.

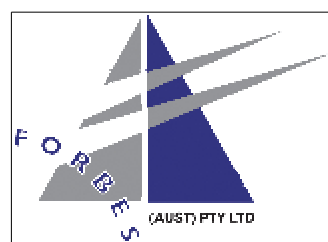
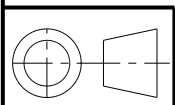
SPECIFICATIONS:  
 FORBES-BRYAN WATER TUBE STEAM BOILER  
 MODEL; FRV350  
 KILOWATT RATING; 850  
 CLASS 1 VESSEL AS1228-1997, TABLE 1.5

DESIGN PRESSURE;	1100	kPa
HAZARD LEVEL:	B	
EVAP; (from & @ 100 Deg C)	1355	kg/hr
INPUT;	3825	Mj/hr
OUTPUT;	3060	Mj/hr
DIESEL OIL;	98.3	L/hr
L.P.G.;	40.7	M <sup>3</sup> /hr
NATURAL GAS;	98.8	M <sup>3</sup> /hr
SHIPPING WEIGHT;	4500	Kg
FLOODED CAPACITY;	1035	Lt



ITEM	DESCRIPTION	TYPE	STYLE	SIZE	QTY
12	SELF CHECK	FLOAT	MOBREY	125NB	1
11	PRESSURE GAUGE	BOURDON	0-1600	160	1
10	WATER LEVEL PROBE	HUNT	CONDUCTIVE		3
9	BLOWDOWN VALVE	3PC	SS	40NB	1
8	CHECK VALVE VERT	3PC	SS	32NB	1
7	FEEDWATER VALVE	3PC	SS	32NB	1
6	SAFETY VALVE	BRONZE	FULL LIFT	32NB	1
5	MAIN STEAM VALVE	BRONZE	GLOBE	100NB	1
4	GAUGE GLASS MOUNT	BRONZE	WATER GAUGE COCKS	20NB	2
3	CONTROL PANEL	RELAY			1
2	PUMP	MULTI-STAGE	CENTRIFUGAL	25NB	2
1	BURNER	FORCE DRAFT	GUN		1

IN THE INTEREST OF CONTINUOUS IMPROVEMENT HUNT BOILERS RESERVES THE RIGHT TO CHANGE THE SPECIFICATIONS OF ITS PRODUCTS WITHOUT PRIOR NOTICE.



**HUNT BOILERS**  
 A Division of Forbes (Aust) Pty Ltd

THIS DRAWING WAS PREPARED BY HUNT BOILERS. THE INFORMATION IT CONTAINS IS CONFIDENTIAL AND MUST NOT BE USED, DISCLOSED OR REPRODUCED WITHOUT WRITTEN AUTHORITY.

ALL DIMENSIONS IN MILLIMETRES	DRAFT S.K.G.	TITLE/PART	
DO NOT SCALE THIS DRAWING	DATE 09/11/05	FORBES-BRYAN WATER TUBE STEAM BOILER	
COMPUTER AIDED DRAFT	PASSED PMF	PART # FRV350-GA	A4

NO	REVISION	DATE	CKD
C	DRAWING REVISED	13/04/10	
B	MAIN STEAM WAS 150NB	08/06/06	
A	ORIGINAL ISSUE		