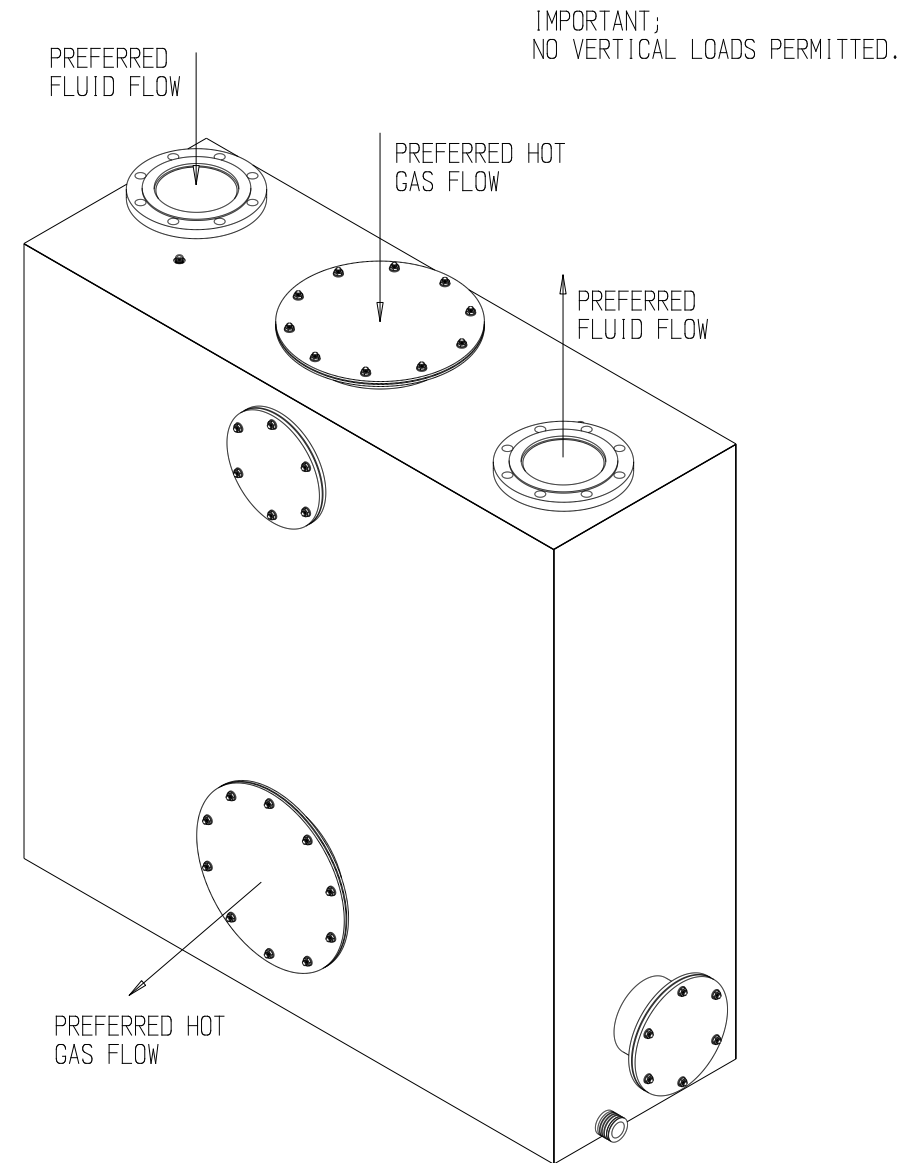
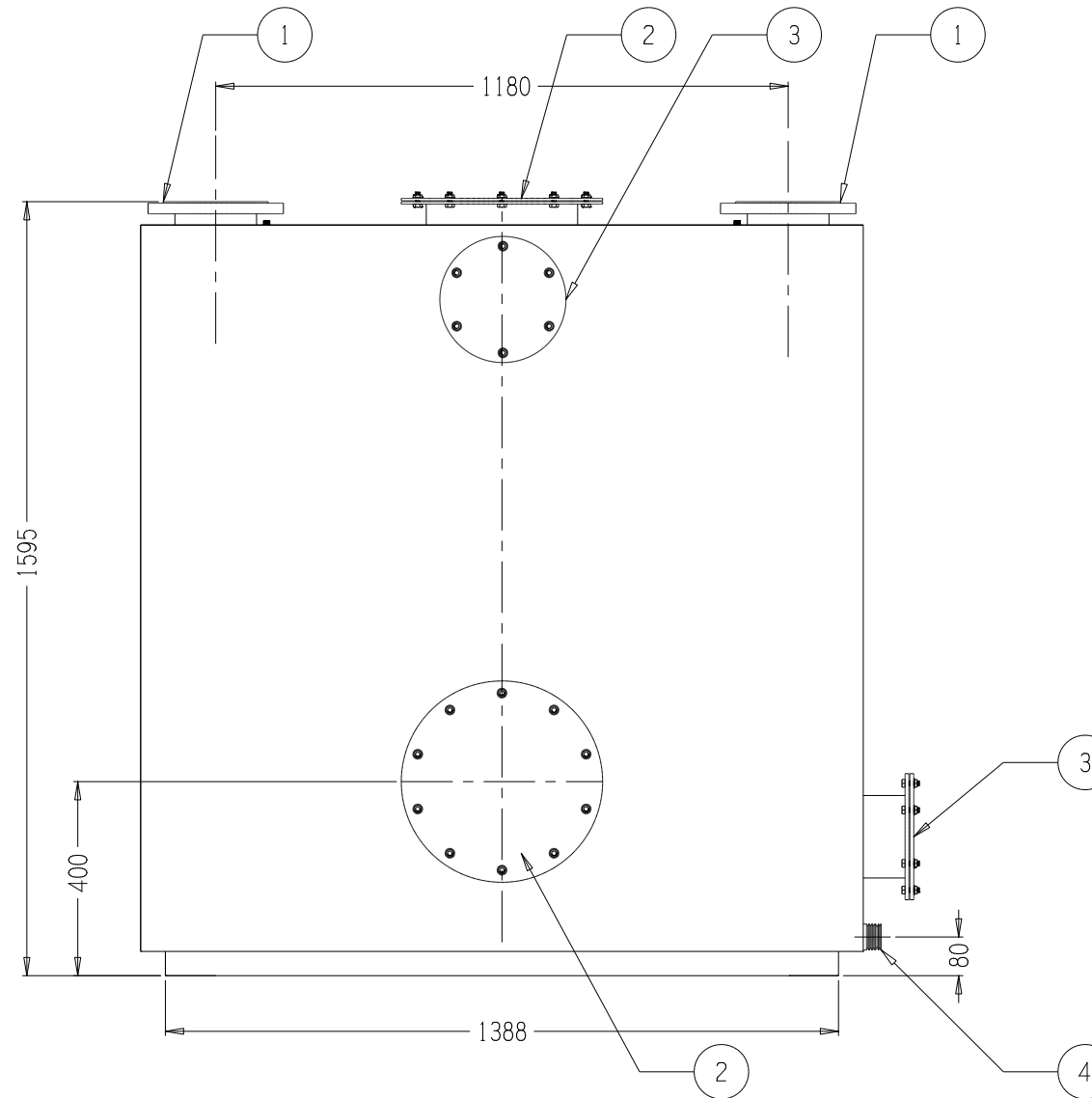
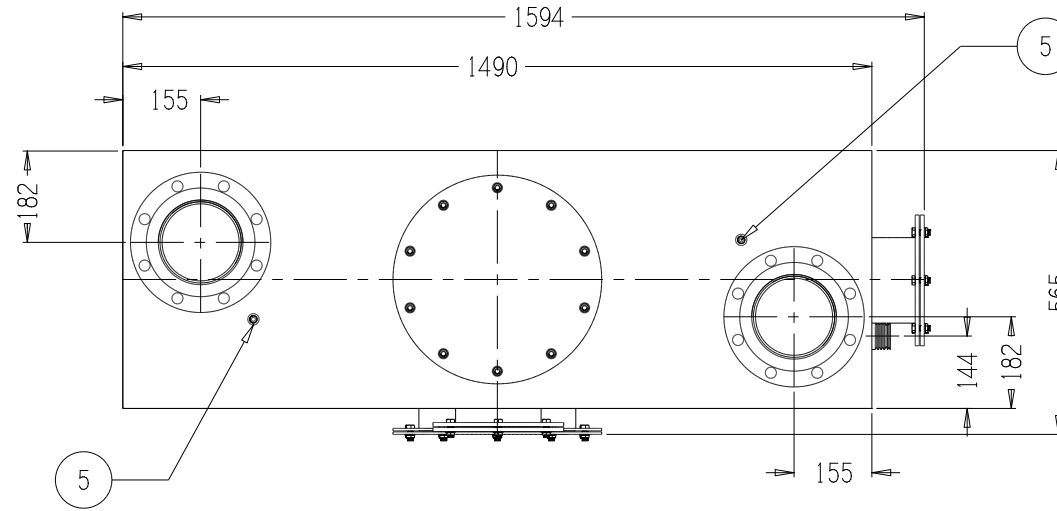
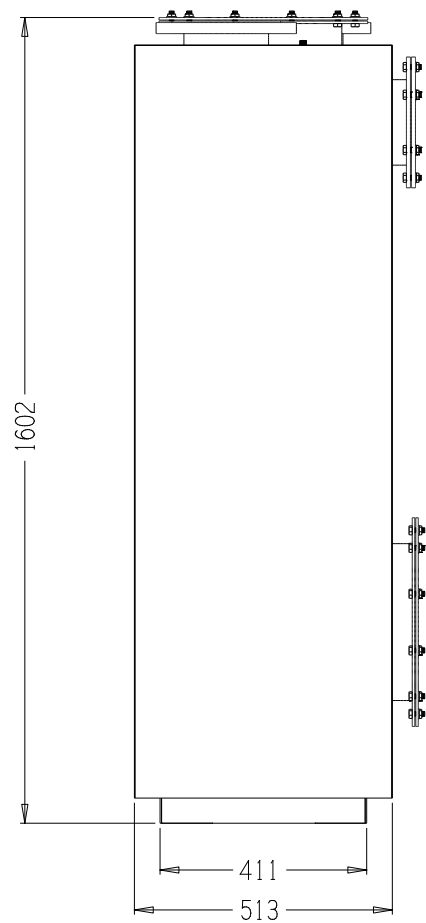


ATTACHING STACK CAN BE CUT DIRECTLY INTO BLANK FLANGE

NOTES:
DESIGN CODE: AS1210-1997(3)
DESIGN CLASS: 3
MAXIMUM DESIGN TEMPERATURE: 200°C
MAXIMUM DESIGN PRESSURE: 1500 kPa
FLOODED VOLUME: 164.55 LITRES
HAZARD LEVEL: "D"
TRANSPORT MASS: 425 KGS

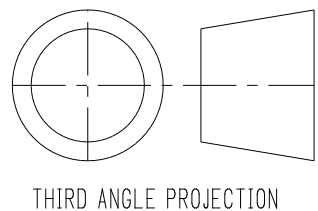


HEATER OUTPUT	FLUID FLOWRATE	FLUID SIDE ΔP	GAS SIDE ΔP
kW	L/sec	kPa	mm/WG
100	1.0	0.1	0.9
500	11.94	2.2	3.35

APPROXIMATE INTERMEDIATE BACK PRESSURES CAN BE DERIVED THRU LINEAR INTERPOLATION

ITEM	DESCRIPTION	CONNECTION	QTY
6			
5	CONTINUOUS AIR VENT CONNECTION	10 NB NPT THREAD	
4	CONDENSATE DRAIN CONNECTION	50 NB NPT THREAD	
3	INSPECTION/WASHDOWN OPENINGS	Ø165 ID	
2	HOT GAS CONNECTION	Ø300 ID MAXIMUM	
1	FLUID FLOW CONNECTION @ 200°C & 1400 kPa	150 NB ANSI 150	

REV	REVISION NOTE	DATE	CKD
A	ORIGINAL ISSUE	01/06/07	



HUNT BOILERS
A Division of Forbes (Aust) Pty Ltd

THIS DRAWING WAS PREPARED BY HUNT BOILERS. THE INFORMATION IT CONTAINS IS CONFIDENTIAL AND MUST NOT BE USED, DISCLOSED OR REPRODUCED WITHOUT WRITTEN AUTHORITY.

ALL DIMENSIONS IN MILLIMETERS	DRAWN: P.C.H.	DESCRIPTION: HEAT RECOVERY CONDENSING UNIT MODEL: HRCU-10V TO SUIT: FROM 100kW HEATER OUTPUT TO 500kW HEATER OUTPUT
DO NOT SCALE THIS DRAWING	DATE: 17/08/07	DRAWING No: HRCU-7V GA
COMPUTER AIDED DRAFT	CHECKED: ***	