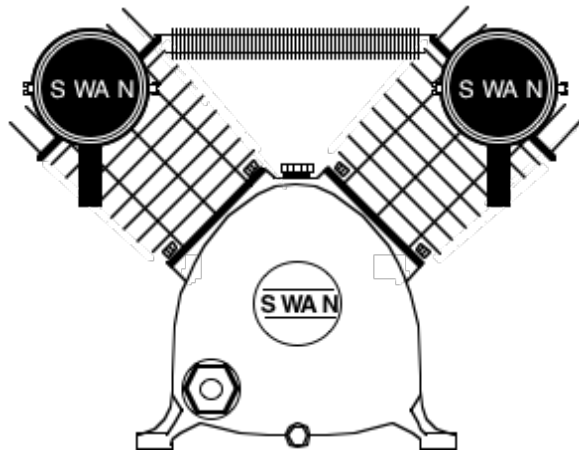
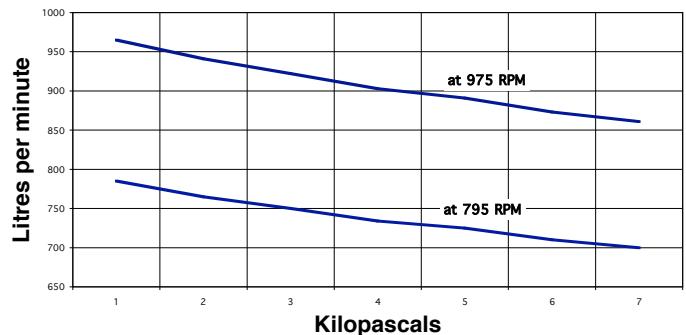


SWAN model SV-205 Single stage 2 cyl. air cooled

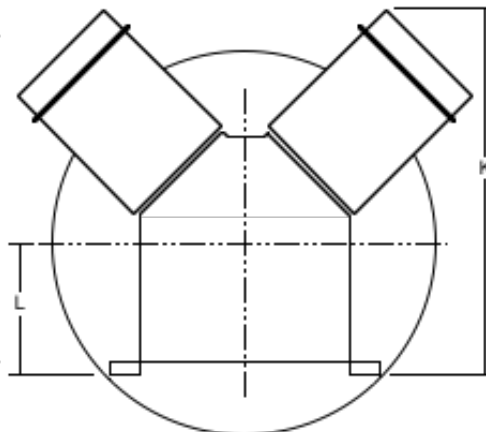
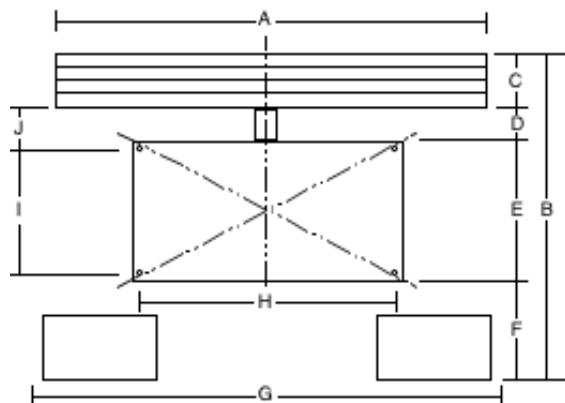
Rev.
No. CS0402-SV205



SV-205 PERFORMANCE



Main Construction Material	Cast Iron	<i>The following are at normal speed with an ambient temperature of 31.1°C & inlet air of 101 kPa g pressure.</i>			
Bore	mm	95	Piston Displacement	L/min	958
Stroke	mm	85	Free Air Delivery @ 689 kPa	L/min	734
Minimum Speed	rpm	570	Shaft Input:		
Normal Speed	rpm	795	@ 415 kPa	kW	3.67
Maximum Speed	rpm	975	@ 551 kPa	kW	4.20
Minimum Working Pressure	kPa	275	@ 689 kPa	kW	4.64
Maximum Working Pressure	kPa	964	@ 964 kPa	kW	5.33
Minimum Ambient Temperature	Celsius	0°	Temperature of Air Discharge:		
Maximum Ambient Temperature	Celsius	45°	@ 415 kPa	Celsius	135°
Air Connection Comp. Fitting	mm	25	@ 551 kPa	Celsius	150°
Air Cleaners	Dry Paper Type		@ 689 kPa	Celsius	160°
Bore Lubrication	Splash Feed		@ 964 kPa	Celsius	183°
Oil Capacity of Crankcase	Litres	1.136	Maximum Lubricant Consumed		
Type of Drive	V-belt	3A	in 100 hours Operation	millilitre	55.10
Approximate Net Weight	kgs	67	Noise Level at 1 metre	dB(A)	83
Rotation Looking at Flywheel	Anti-clockwise				



A	400 mm
B	420 mm
C	65 mm
D	60 mm
E	180 mm
F	60 mm
G	585 mm
H	275 mm
I	130 mm
J	85 mm
K	450 mm
L	152 mm

Forbes (Aust) Pty Ltd reserves the right to change the specifications of any of its products without prior notice