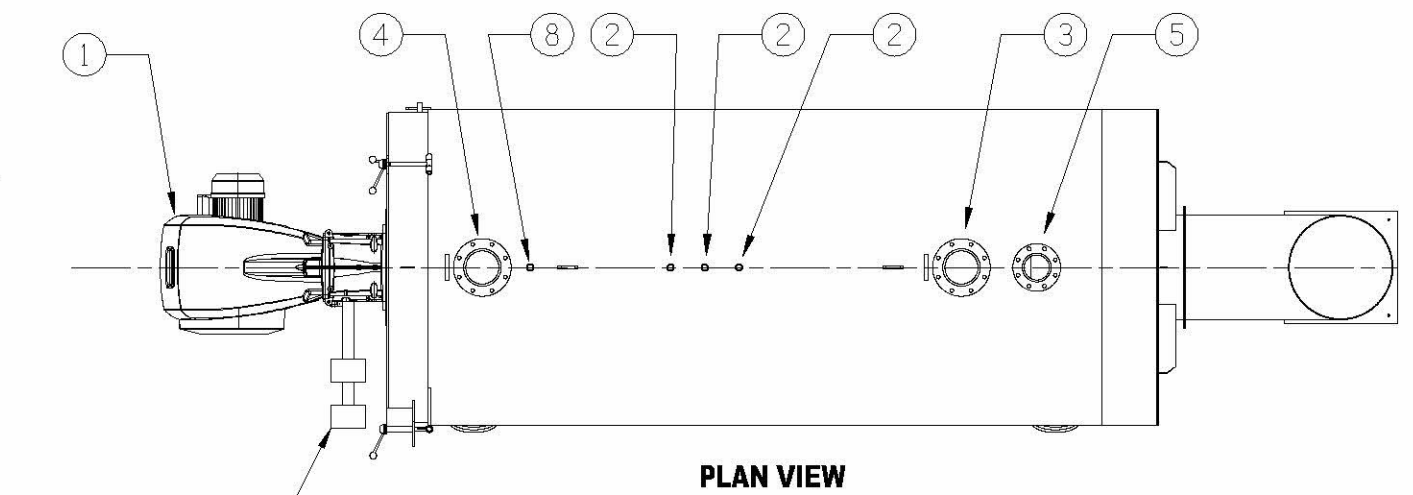


NOTE: STRESSES ASSOCIATED WITH EXTERNAL OR ENVIRONMENTAL EFFECTS HAVE NOT BEEN CONSIDERED IN THIS DESIGN. ANY PROJECT SPECIFIC LOADINGS WILL REQUIRE EVALUATION TO ENSURE THAT THEY DO NOT APPLY NEW LOADS NOT ALLOWED FOR IN THIS DESIGN.

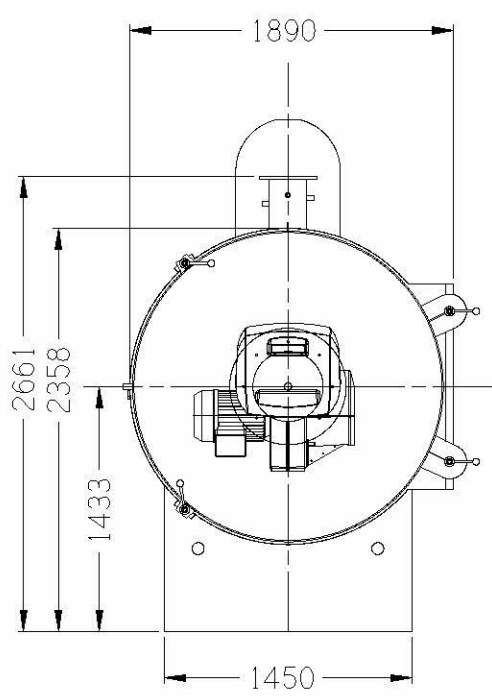
* THE CONFIGURATION AND DIMENSIONS OF THE BURNER GAS TRAIN CAN VARY DEPENDING ON GAS SUPPLY PRESSURE AND SITE SPECIFICATIONS. HUNT BOILERS CAN PROVIDE GAS TRAIN CONFIGURATION AND DIMENSION ON RECEIPT OF THE DESIGN CRITERIA FOR YOUR PROJECT.

DETAIL: FLUE FLANGE

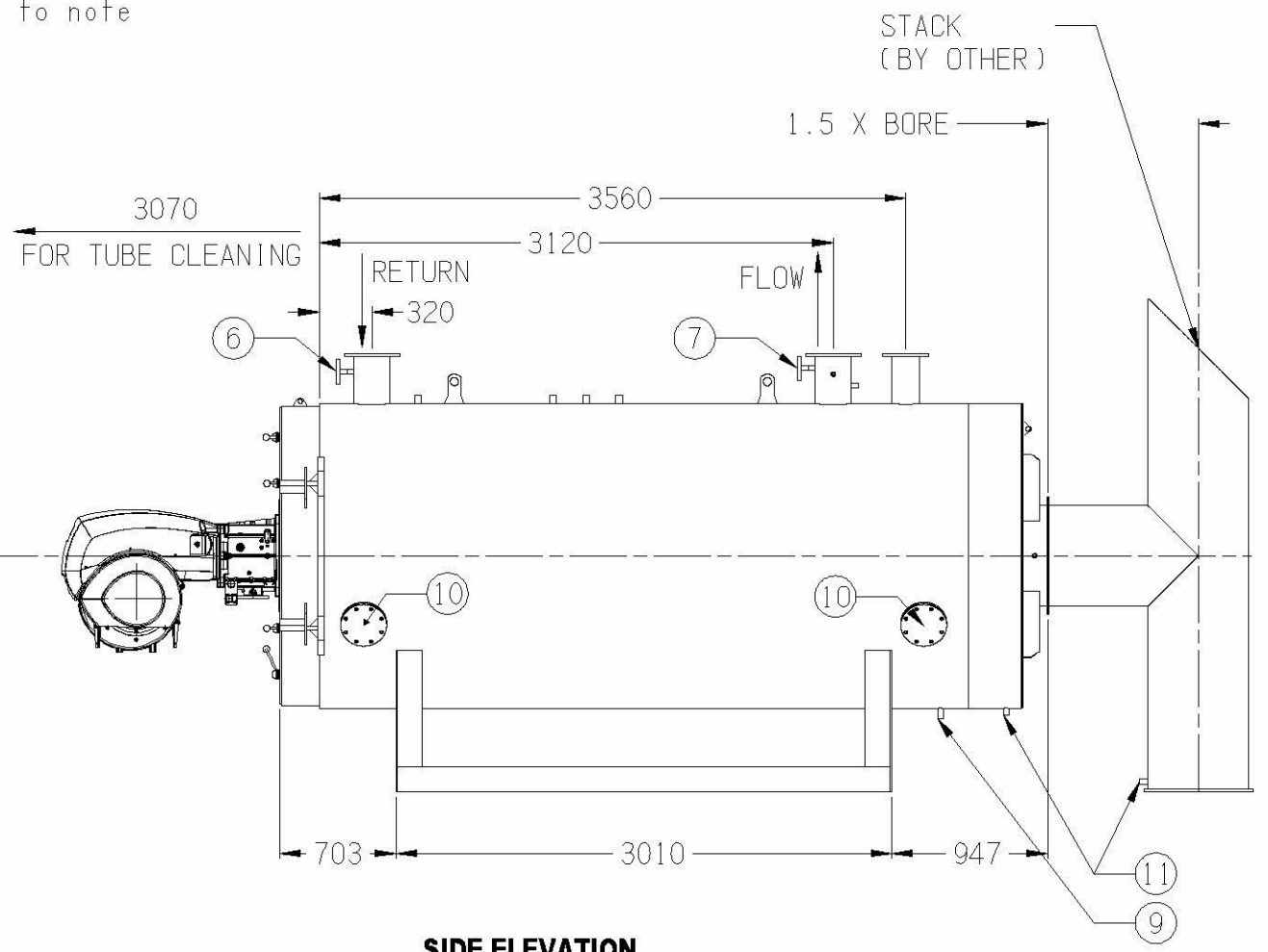


PLAN VIEW

Gas train
Refer to note



FRONT ELEVATION



SIDE ELEVATION

IN THE INTEREST OF CONTINUOUS IMPROVEMENT HUNT BOILERS RESERVES THE RIGHT TO CHANGE THE SPECIFICATIONS OF ITS PRODUCTS WITHOUT PRIOR NOTICE.

SPECIFICATIONS:

TNAR SERIES
HOT WATER HEATER
MODEL: TNAR4000 (4000KW)
DESIGN REFERENCE: AS1210-2010
CLASS: 3



DESIGNATION NUMBER: AS1210-3
OUTPUT CAPACITY: 4000 kW
MAX. OPERATING TEMPERATURE: 99°C
MAX. OPERATING PRESSURE: 570 kPa
DESIGN PRESSURE: 600 kPa
TEST PRESSURE: 936 kPa
INPUT: * 17349 MEGAJOULES/hr
OUTPUT: 14400 MEGAJOULES/hr
WATER CONTENT: 4100 LITRES
DRY WEIGHT: 9100 kg

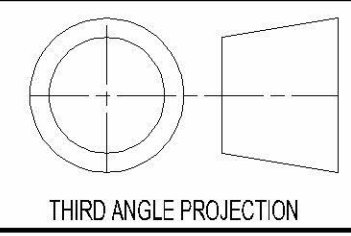
HAZARD LEVEL TO AS4343-2005	
OPEN VENTED	"E"
>65°C <90°C	"C"
≥90°C <100°C	"B"

WATER MASS RATE kg/sec	ΔT10°C	
	97.65	14.70
WATER PRESSURE DROP kPa	ΔT15°C	
	65.18	7.30
		ΔT20°C
		48.94
		3.90

* = BASED ON 65°C WATER INLET TO 80°C WATER OUTLET

ITEM	DESCRIPTION	TYPE	STYLE	SIZE	QTY
12					
11	CONDENSATE DRAIN CON	STUB	BSP	20NB	1
10	INSPECTION OPENINGS	FLANGE	TABLE 'E'	150NB	2
9	DRAIN CONNECTION	STUB	BSP	25NB	1
8	LOW LEVEL PROBE CON	STUB	BSP	32NB	1
7	TEMPERATURE GAUGE	BIMETAL	0-150°C		1
6	PRESSURE GAUGE	BOURDON	0-1000kPa		1
5	VENT CONNECTION	FLANGE	TABLE 'E'	150NB	1
4	RETURN CONNECTION	FLANGE	TABLE 'E'	200NB	1
3	FLOW CONNECTION	FLANGE	TABLE 'E'	200NB	1
2	SAFETY VALVE	BRONZE	FULL LIFT	32NB	3
1	BURNER	FORCED DRAFT	GUN		1

REV	REVISION NOTE	DATE	CKD
B	Burner and specifications updated	05/02/12	DA
A	ORIGINAL ISSUE	05/12/08	



HUNT BOILERS
A Division of Forbes (Aust) Pty Ltd

THIS DRAWING WAS PREPARED BY HUNT BOILERS. THE INFORMATION IT CONTAINS IS CONFIDENTIAL AND MUST NOT BE USED, DISCLOSED OR REPRODUCED WITHOUT WRITTEN AUTHORITY.

ALL DIMENSIONS IN MILLIMETERS	DRAWN: D.L.D.	DESCRIPTION: TNAR4000 (4000KW) HOT WATER HEATER GENERAL ARRANGEMENT DESIGN REG:- SD20080808-1
DO NOT SCALE THIS DRAWING	DATE: 05/12/08	DRAWING No: TNAR4000-GA-8/8
COMPUTER AIDED DRAFT	CHECKED: DA	