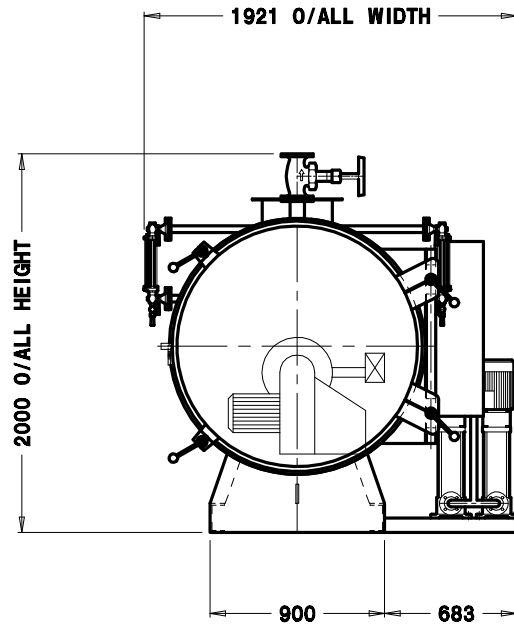
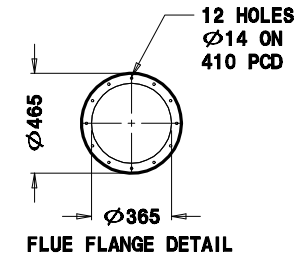
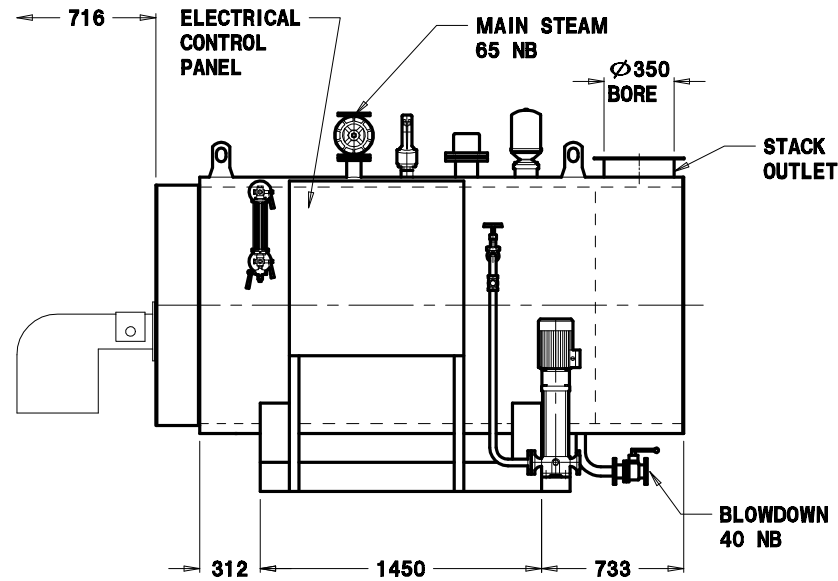


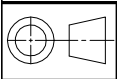
SPECIFICATIONS:
REVERSE FLAME STEAM BOILER
MODEL; TNS630/700 kPa
KILOWATT RATING; 630
CLASS 1 VESSEL AS1796-1986, TABLE 1.6
OPERATING PRESSURE; 700 kPa
DESIGN PRESSURE; 750 kPa
EVAPORATION; 1000 kg/hr
INPUT; 2835 Mj/hr
OUTPUT; 2268 Mj/hr
DIESEL OIL; 72.8 L/hr
L.P.G.; 110.6 L/hr
NATURAL GAS; 73.2 M³/hr
SHIPPING WEIGHT; 2100 Kg
FLOODED CAPACITY; 1685 Lt



FRONT ELEVATION



SIDE ELEVATION



HUNT
BOILERS
 A division of Forbes (Aust) Pty Ltd

THIS DRAWING WAS PREPARED BY HUNT BOILERS. THE INFORMATION IT CONTAINS IS CONFIDENTIAL AND MUST NOT BE USED, DISCLOSED OR REPRODUCED WITHOUT WRITTEN AUTHORITY.

ALL DIMENSIONS IN MILLIMETRES	DRAFT P.C.H.	TITLE/PART TNS SERIES TNS0630 REVERSE FLAME STEAM BOILER	
DO NOT SCALE THIS DRAWING	DATE 28/10/96		
COMPUTER AIDED DRAFT	PASSED **	PART # TNS0630GA	A4

NO	REVISION	DATE	CKD