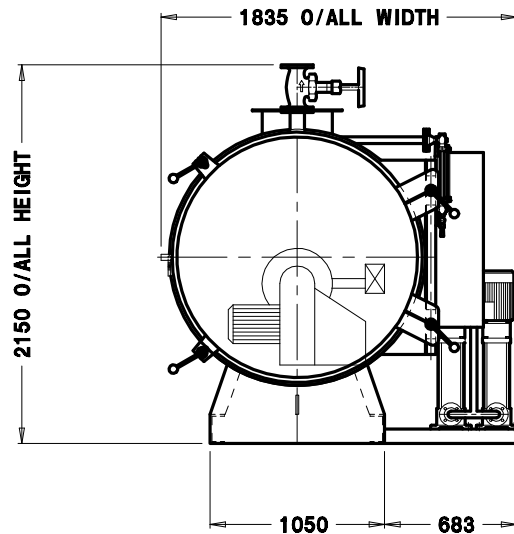
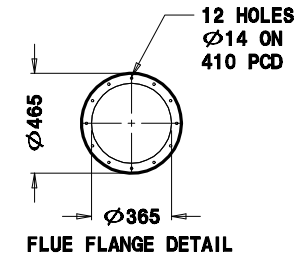
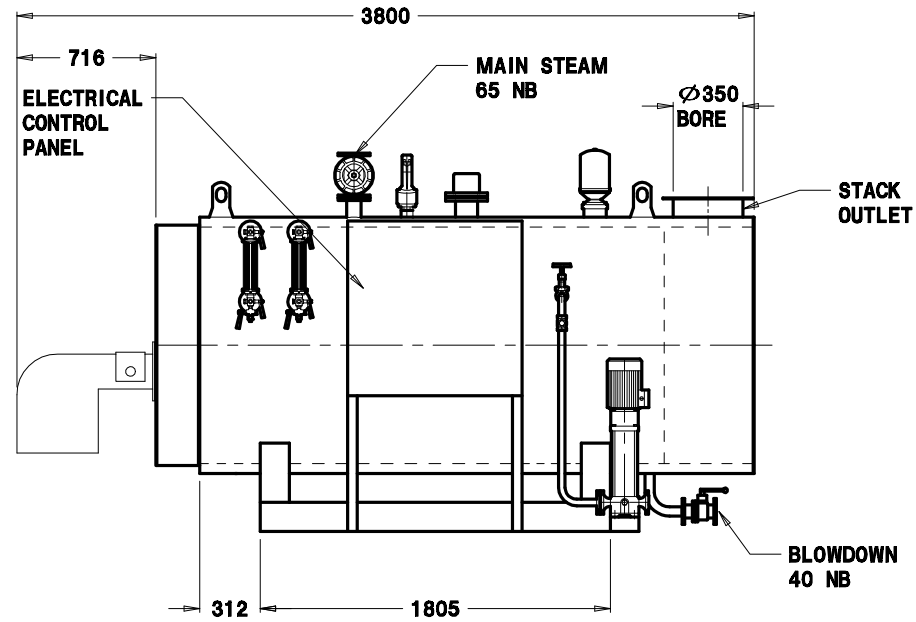


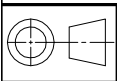
SPECIFICATIONS:
REVERSE FLAME STEAM BOILER
MODEL; TNS750/700 kPa
KILOWATT RATING; 750
CLASS 1 VESSEL AS1796-1986, TABLE 1.6
OPERATING PRESSURE; 700 kPa
DESIGN PRESSURE; 750 kPa
EVAPORATION; 1190 kg/hr
INPUT; 3376 Mj/hr
OUTPUT; 2700 Mj/hr
DIESEL OIL; 86.6 L/hr
L.P.G.; 131.6 L/hr
NATURAL GAS; 87.1 M³/hr
SHIPPING WEIGHT; 2400 Kg
FLOODED CAPACITY; 1885 Lt



FRONT ELEVATION



SIDE ELEVATION



HUNT
 BOILERS
 A division of Forbes (Aust) Pty Ltd

THIS DRAWING WAS PREPARED BY HUNT BOILERS. THE INFORMATION IT CONTAINS IS CONFIDENTIAL AND MUST NOT BE USED, DISCLOSED OR REPRODUCED WITHOUT WRITTEN AUTHORITY.

ALL DIMENSIONS IN MILLIMETRES	DRAFT P.C.H.	TITLE/PART	
DO NOT SCALE THIS DRAWING	DATE 28/10/96	TNS SERIES TNS0750 REVERSE FLAME STEAM BOILER	
COMPUTER AIDED DRAFT	PASSED **	PART # TNS0750GA	A4

NO	REVISION	DATE	CKD