

SPECIFICATIONS:
REVERSE FLAME STEAM BOILER

MODEL; TNS940/750 kPa

KILOWATT RATING; 940

CLASS 1 VESSEL AS1228, TABLE 1.5

OPERATING PRESSURE; 700 kPa

DESIGN PRESSURE; 750 kPa

EVAPORATION; 1125 kg/hr

INPUT; 4230 Mj/hr

OUTPUT; 3384 Mj/hr

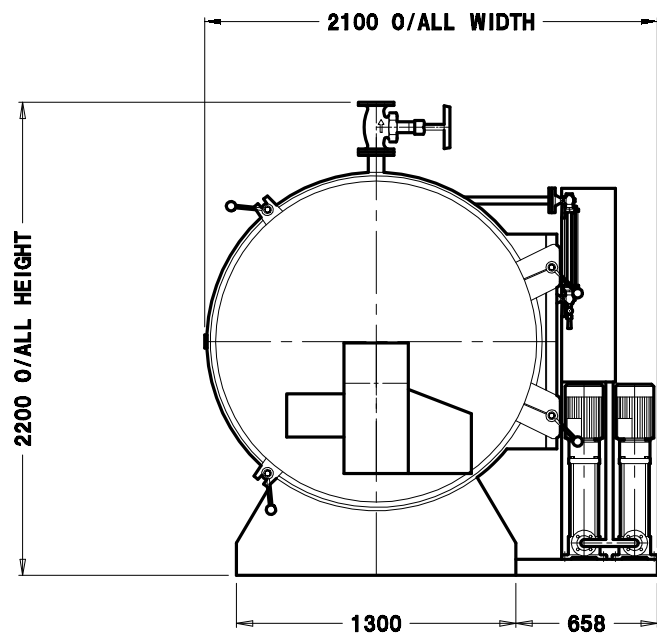
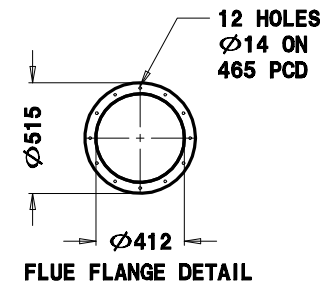
DIESEL OIL; 108.6 L/hr

L.P.G.; 165.1 L/hr

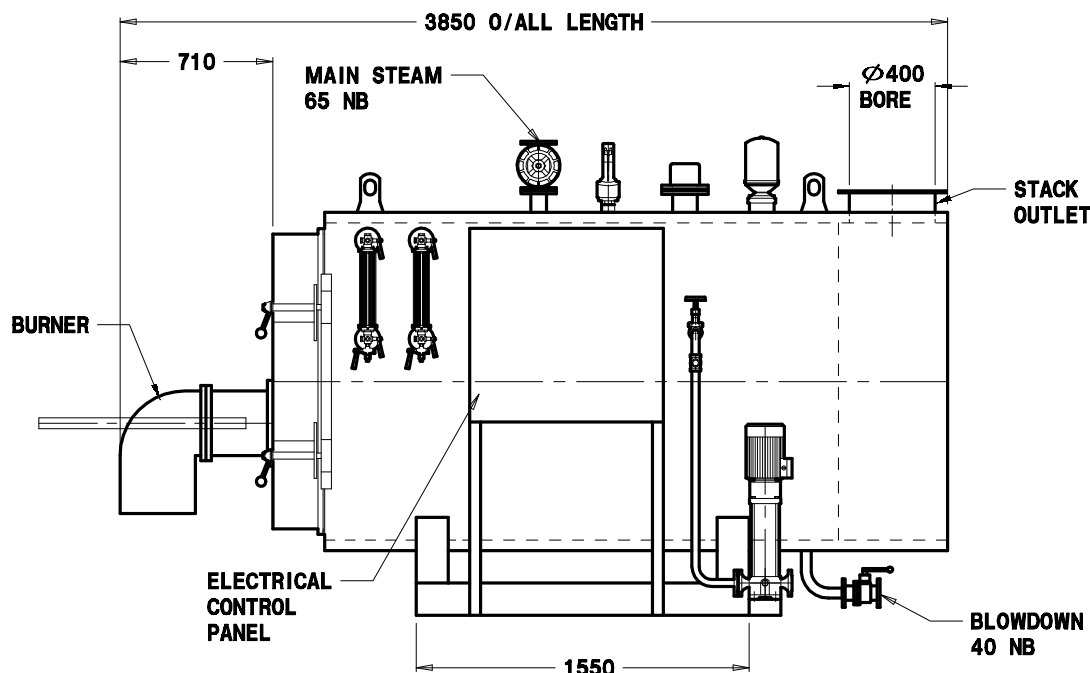
NATURAL GAS; 109.2 M³/hr

SHIPPING WEIGHT; 2600 Kg

FLOODED CAPACITY; 1940 Lt



FRONT ELEVATION



SIDE ELEVATION

NO	REVISION	DATE	CKD	
	ORIGINAL ISSUE			THIRD ANGLE PROJECTION

HUNT

BOILERS

A division of Forbes (Aust) Pty Ltd

THIS DRAWING WAS PREPARED BY HUNT BOILERS. THE INFORMATION IT CONTAINS IS CONFIDENTIAL AND MUST NOT BE USED, DISCLOSED OR REPRODUCED WITHOUT WRITTEN AUTHORITY.

ALL DIMENSIONS IN MILLIMETRES	DRAFT P.C.H.	TITLE/PART
DO NOT SCALE THIS DRAWING	DATE 09/10/96	TNS SERIES TNS940 REVERSE FLAME STEAM BOILER
COMPUTER AIDED DRAFT	PASSED **	PART # TNS940GA