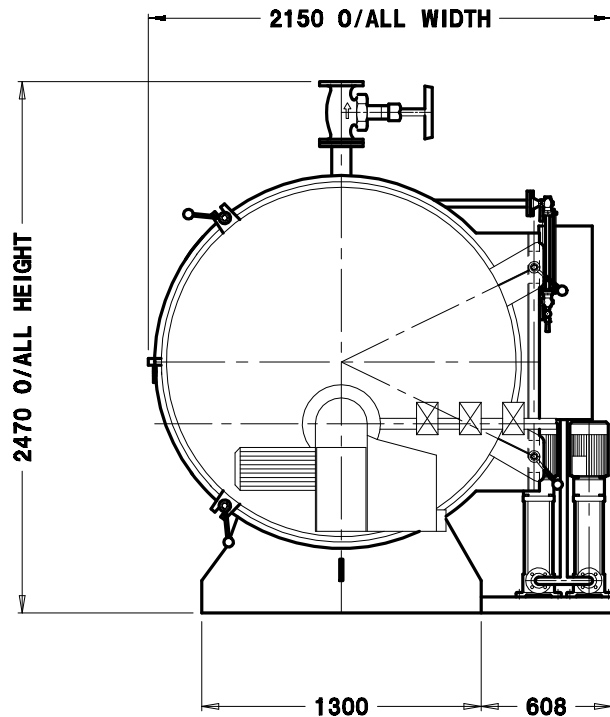
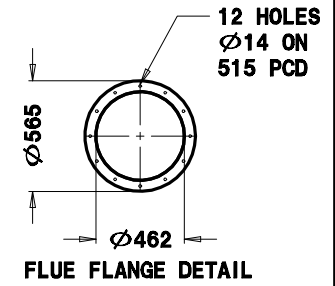
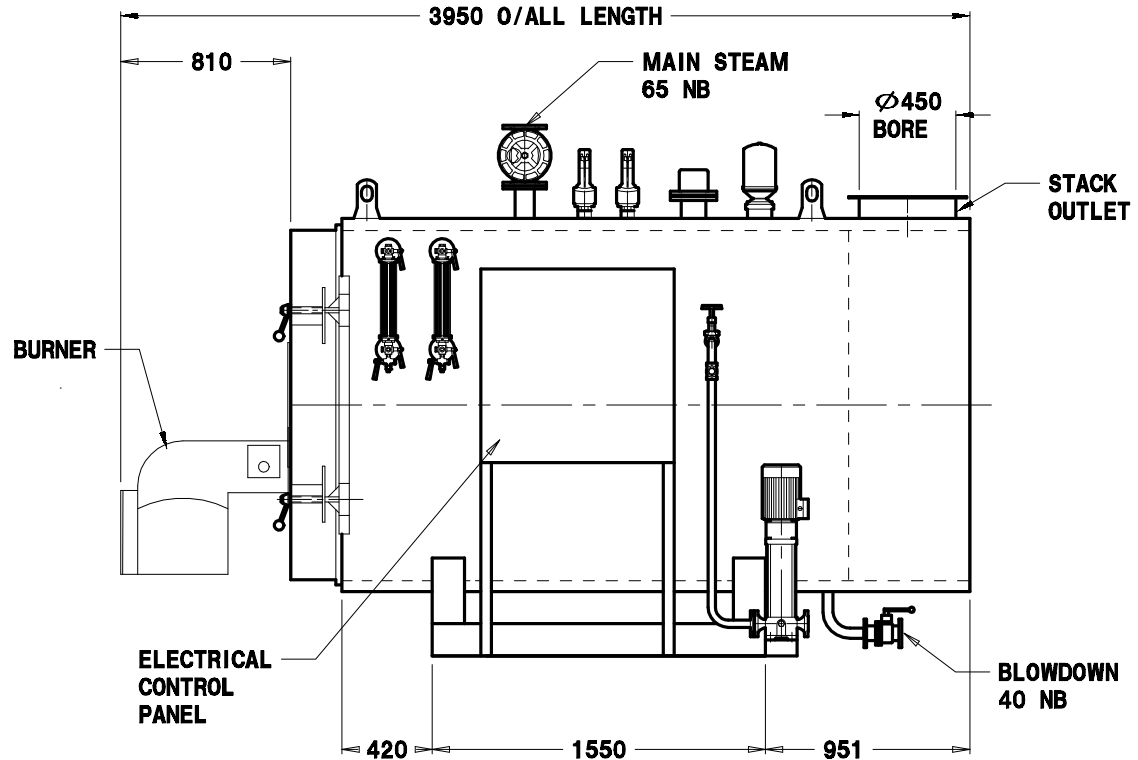


SPECIFICATIONS:
REVERSE FLAME STEAM BOILER
MODEL; TNS1255/700 kPa
KILOWATT RATING; 1255
CLASS 1 VESSEL AS1228, TABLE 1.5
OPERATING PRESSURE; 700 kPa
DESIGN PRESSURE; 750 kPa
EVAPORATION; 2000 kg/hr
INPUT; 5674 Mj/hr
OUTPUT; 4518 Mj/hr
DIESEL OIL; 145.0 L/hr
L.P.G.; 220.4 L/hr
NATURAL GAS; 145.8 M³/hr
SHIPPING WEIGHT; 3500 Kg
FLOODED CAPACITY 3263 Lt



FRONT ELEVATION



SIDE ELEVATION

NO	REVISION	DATE	CKD	
	ORIGINAL ISSUE			THIRD ANGLE PROJECTION

HUNT
BOILERS
 A division of Forbes (Aust) Pty Ltd

THIS DRAWING WAS PREPARED BY HUNT BOILERS. THE INFORMATION IT CONTAINS IS CONFIDENTIAL AND MUST NOT BE USED, DISCLOSED OR REPRODUCED WITHOUT WRITTEN AUTHORITY.

ALL DIMENSIONS IN MILLIMETRES	DRAFT P. C. H.	TITLE/PART
DO NOT SCALE THIS DRAWING	DATE 28/10/96	TNS SERIES TNS1255 REVERSE FLAME STEAM BOILER
COMPUTER AIDED DRAFT	PASSED **	PART # TNS1255GA