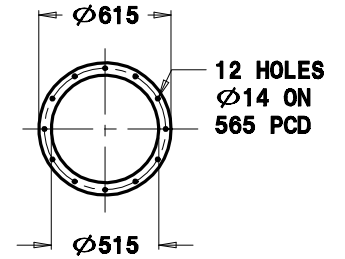
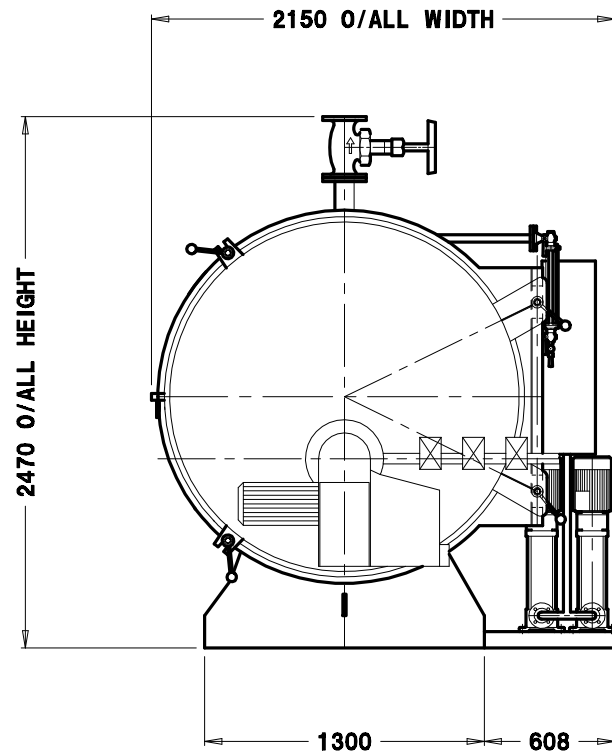


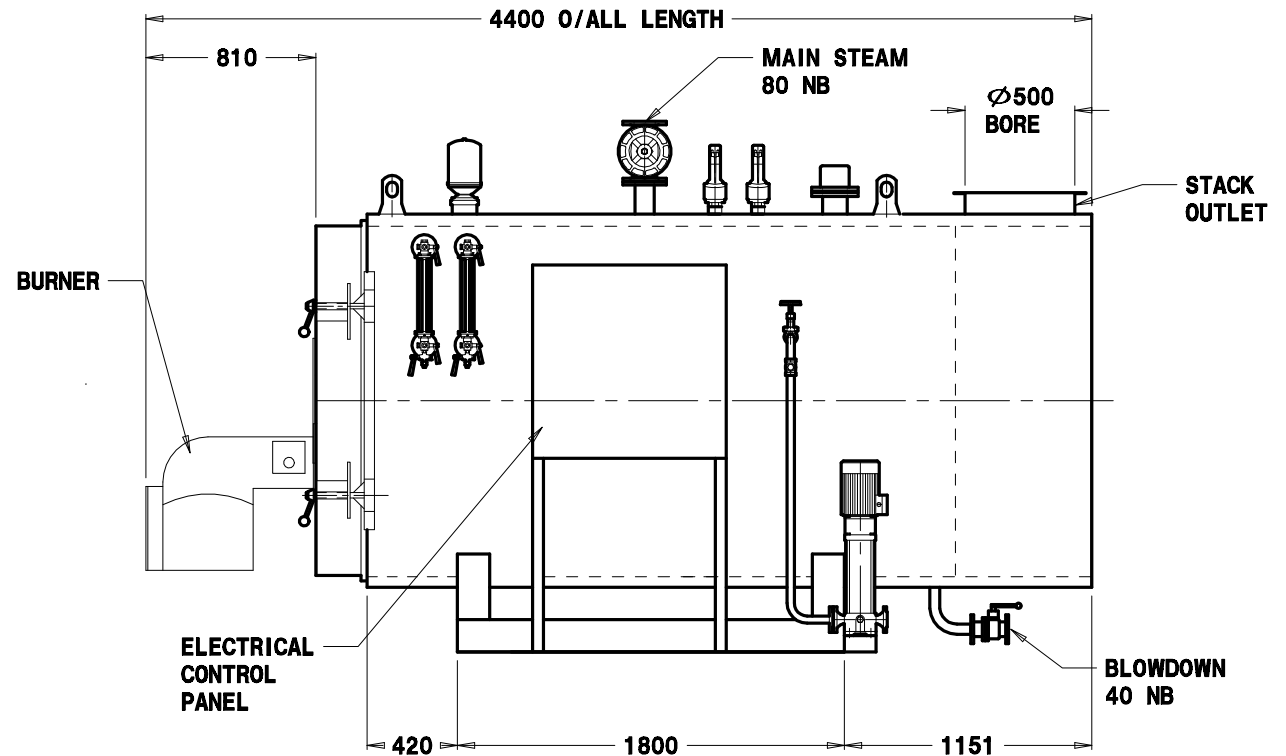
**SPECIFICATIONS:**  
**REVERSE FLAME STEAM BOILER**  
**MODEL; TNS1567/700 kPa**  
**KILOWATT RATING; 1567**  
**CLASS 1 VESSEL AS1228, TABLE 1.5**  
**OPERATING PRESSURE; 700 kPa**  
**DESIGN PRESSURE; 750 kPa**  
**EVAPORATION; 2500 kg/hr**  
**INPUT; 7084 Mj/hr**  
**OUTPUT; 5658 Mj/hr**  
**DIESEL OIL; 181.0 L/hr**  
**L.P.G.; 275.2 L/hr**  
**NATURAL GAS; 182.0 M<sup>3</sup>/hr**  
**SHIPPING WEIGHT; 7500 Kg**  
**FLOODED CAPACITY 3835 Lt**



**FLUE FLANGE DETAIL**



**FRONT ELEVATION**



**SIDE ELEVATION**

NO	REVISION	DATE	CKD	
	ORIGINAL ISSUE			THIRD ANGLE PROJECTION

**HUNT**  
**BOILERS**  
 A division of Forbes (Aust) Pty Ltd

THIS DRAWING WAS PREPARED BY HUNT BOILERS. THE INFORMATION IT CONTAINS IS CONFIDENTIAL AND MUST NOT BE USED, DISCLOSED OR REPRODUCED WITHOUT WRITTEN AUTHORITY.

ALL DIMENSIONS IN MILLIMETRES	DRAFT P. C. H.	TITLE/PART
DO NOT SCALE THIS DRAWING	DATE 25/10/96	<b>TNS SERIES TNS1567 REVERSE FLAME STEAM BOILER</b>
COMPUTER AIDED DRAFT	PASSED **	PART # <b>TNS1567GA</b>