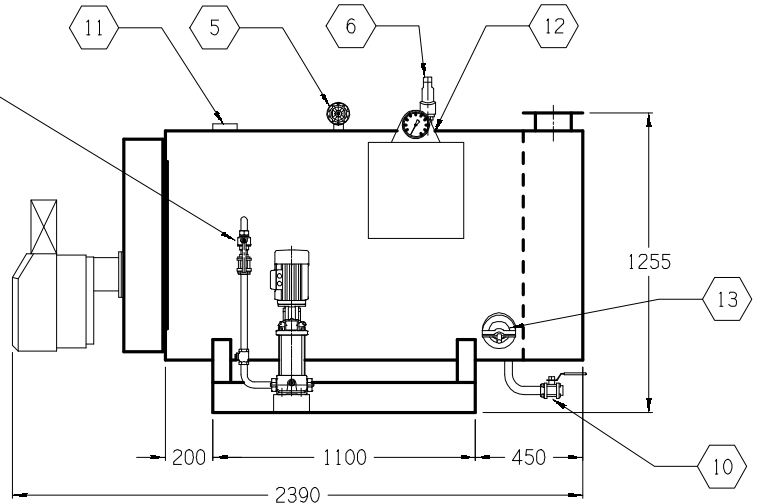
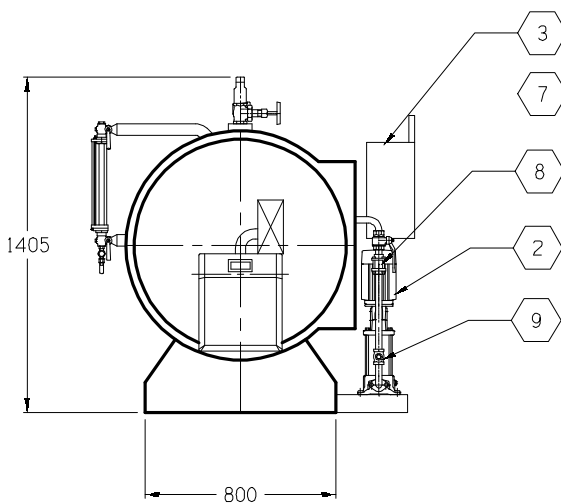
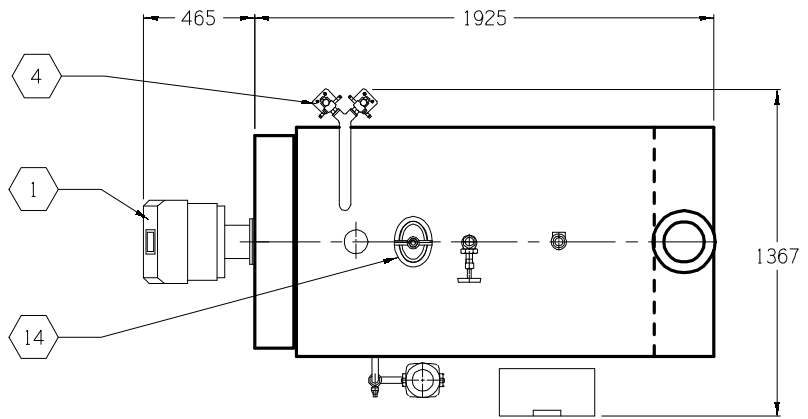
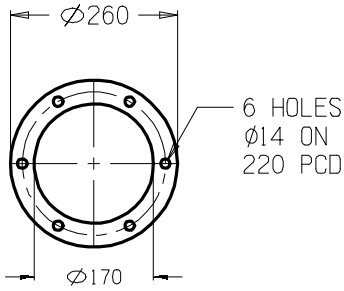


FLUE FLANGE DETAIL



SPECIFICATIONS:

REVERSE FLAME STEAM BOILER

MODEL; TNS0200/700 kPa

KILOWATT RATING; 200

CLASS 2B VESSEL AS1228, TABLE 1.5

OPERATING PRESSURE;	700	kPa
DESIGN PRESSURE;	750	kPa
EVAPORATION;	319.4	kg/hr (f&@ 100 Deg C)
INPUT;	900	Mj/hr
OUTPUT;	720	Mj/hr
DIESEL OIL;	23.1	L/hr
L.P.G.;	35.1	L/hr
NATURAL GAS;	23.2	M ³ /hr
HEATING SURFACE;	7.35	M ²
SHIPPING WEIGHT;	740	KILOGRAMS
FLOODED CAPACITY;	636	LITRES

NOTE: ALL CONNECTIONS FOR SERVICES ARE THREADED BSP

14	STEAM SPACE DOOR	HUNT	225 x 180		1
13	WATER SPACE DOOR	HUNT	115 x 90		2
12	PRESSURE GAUGE	DOBBIE	0/1600	100	1
11	WATER LEVEL PROBE	HUNT	WLPH0000		3
10	BLOWDOWN VALVE	R.V.	1000	25NB	1
9	CHECK VALVE VERT	TOYO	FIG 230	25NB	1
8	CHECK VALVE	KEMPE	3PC	25NB	1
7	FEEDWATER VALVE	TURNFLO	GWP	25NB	1
6	SAFETY VALVE	CONSOLIDATED	FIG 1543	20NB	1
5	MAIN STEAM VALVE	JOHNS	FIG 501	25NB	1
4	GAUGE GLASS MOUNT	KLINGER	AB12	20NB	2
3	CONTROL PANEL	HUNT	EPANEL50		1
2	PUMP	GRUNDFOS	CR1-13	25NB	1
1	BURNER	SAACKE	250DV/250GE		1
ITEM	DESCRIPTION	MANUFACTURER	MODEL	SIZE	QTY

HUNT

BOILERS

A division of Forbes (Aust) Pty Ltd

THIS DRAWING WAS PREPARED BY HUNT BOILERS. THE INFORMATION IT CONTAINS IS CONFIDENTIAL AND MUST NOT BE USED, DISCLOSED OR REPRODUCED WITHOUT WRITTEN AUTHORITY.

ALL DIMENSIONS IN MILLIMETRES

DO NOT SCALE THIS DRAWING

COMPUTER AIDED DRAFT

DRAFT P.C.H.

DATE 18/02/02

PASSED

TITLE/PART

TNS0200 (200 kW) REVERSE FLAME STEAM BOILER

PART # TNS0200GA

A3