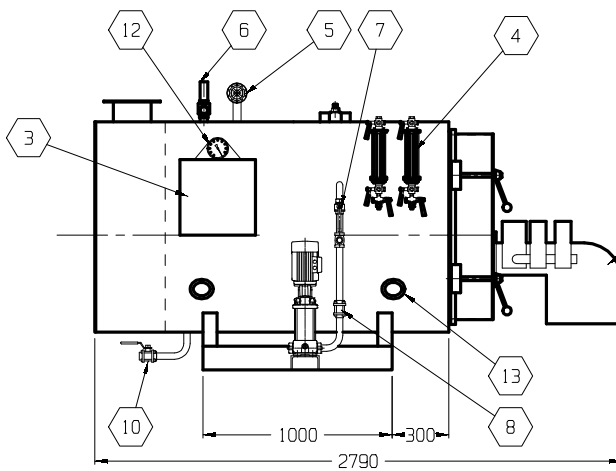
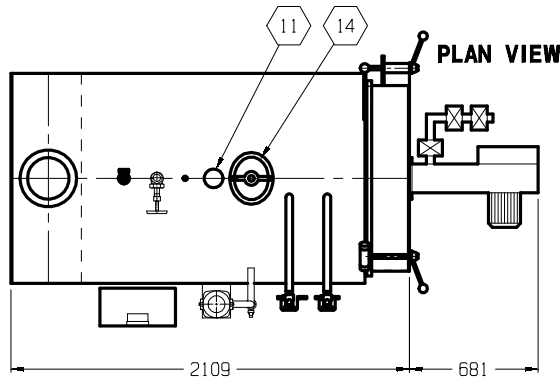
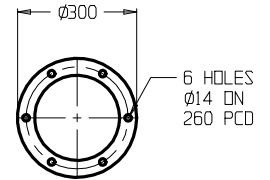
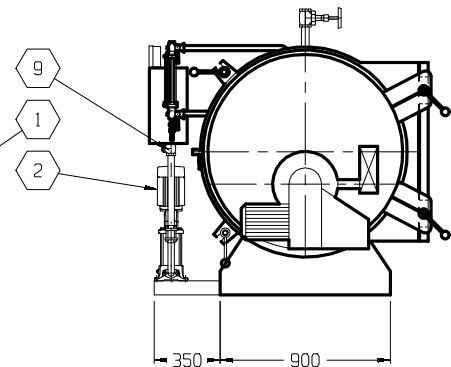


FLUE FLANGE DETAIL



SIDE ELEVATION



FRONT ELEVATION

SPECIFICATIONS:

REVERSE FLAME STEAM BOILER

MODEL; TNS0300 /750 kPa

KILOWATT RATING; 300

CLASS 2B VESSEL AS1228

OPERATING PRESSURE; 700 kPa

DESIGN PRESSURE; 750 kPa

EVAPORATION; 479.1 kg/hr (f&@ 100 Deg C)

INPUT; 1350 Mj/hr

OUTPUT; 1080 Mj/hr

DIESEL OIL; 34.7 L/hr

L.P.G.; 52.7 L/hr

NATURAL GAS; 34.9 M³/hr

HEATING SURFACE; 12.9 M²

SHIPPING WEIGHT; 1550 KILOGRAMS

FLOODED CAPACITY; 850 LITRES

NOTE: ALL CONNECTIONS FOR SERVICES ARE THREADED BSP

| 14 | STEAM SPACE DOOR | HUNT | 225 x 180 | | 1 |
|------|-------------------|--------------|-----------|------|-----|
| 13 | WATER SPACE DOOR | HUNT | 115 x 90 | | 2 |
| 12 | PRESSURE GAUGE | DOBBIE | 0/1600 | 100 | 1 |
| 11 | WATER LEVEL PROBE | HUNT | WLPH0000 | | 3 |
| 10 | BLOWDOWN VALVE | R.V. | 1000 | 25NB | 1 |
| 9 | CHECK VALVE VERT | TOYO | FIG 230 | 25NB | 1 |
| 8 | CHECK VALVE | KEMPE | 3PC | 25NB | 1 |
| 7 | FEEDWATER VALVE | TURNFLO | GWP | 25NB | 1 |
| 6 | SAFETY VALVE | CONSOLIDATED | FIG 1543 | 25NB | 1 |
| 5 | MAIN STEAM VALVE | JOHNS | FIG 501 | 32NB | 1 |
| 4 | GAUGE GLASS MOUNT | KLINGER | AB12 | 20NB | 2 |
| 3 | CONTROL PANEL | HUNT | EPANEL50 | | 1 |
| 2 | PUMP | GRUNDFOS | CR1 -13 | 25NB | 1 |
| 1 | BURNER | TBA | TBA | | 1 |
| ITEM | DESCRIPTION | MANUFACTURER | MODEL | SIZE | QTY |

REV 1

HUNT

BOILERS

A division of Forbes (Aust) Pty Ltd

THIS DRAWING WAS PREPARED BY HUNT BOILERS. THE INFORMATION IT CONTAINS IS CONFIDENTIAL AND MUST NOT BE USED, DISCLOSED OR REPRODUCED WITHOUT WRITTEN AUTHORITY.

ALL DIMENSIONS IN MILLIMETRES

DO NOT SCALE THIS DRAWING

COMPUTER AIDED DRAFT

DRAFT

P.C.H.

DATE

05/12/03

PASSED

TITLE/PART

TNS0300 (300 kW) REVERSE FLAME STEAM BOILER

PART # **TNS0300GA**

A4