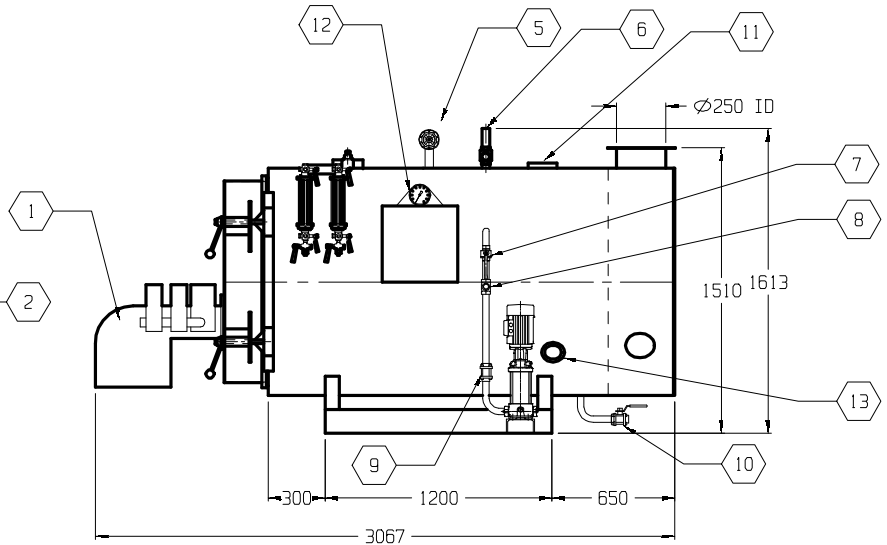
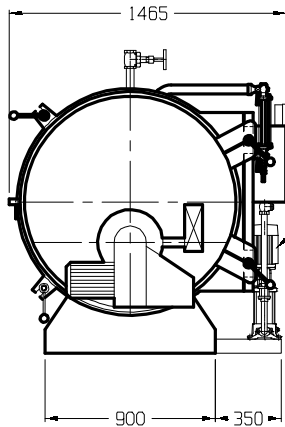
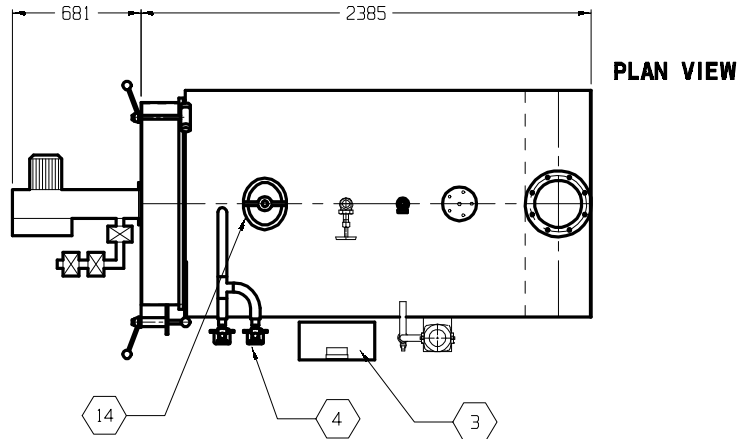
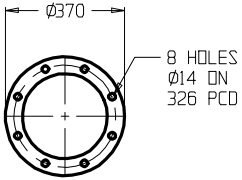


FLUE FLANGE DETAIL



SPECIFICATIONS:

REVERSE FLAME STEAM BOILER
 MODEL; TNS0400
 KILOWATT RATING; 400
 CLASS 2B VESSEL AS1228

DESIGN PRESSURE; 750 kPa
 EVAPORATION; 638.8 kg/hr (f&@ 100 Deg C)
 INPUT; 1800 Mj/hr
 OUTPUT; 1440 Mj/hr
 DIESEL OIL; 46.2 L/hr
 L.P.G.; 70.3 L/hr
 NATURAL GAS; 46.5 M³/hr
 HEATING SURFACE; 14.2 M²
 SHIPPING WEIGHT; 1600 KILOGRAMS
 FLOODED CAPACITY; 1410 LITRES

NOTE: ALL CONNECTIONS FOR SERVICES ARE THREADED BSP

14	STEAM SPACE DOOR	HUNT	225 x 180		1
13	WATER SPACE DOOR	HUNT	115 x 90		2
12	PRESSURE GAUGE	DOBBIE	0/1600	100	1
11	WATER LEVEL PROBE	HUNT	WLPH0000		3
10	BLOWDOWN VALVE	R.V.	1000	25NB	1
9	CHECK VALVE VERT	TOYO	FIG 230	25NB	1
8	CHECK VALVE	KEMPE	3PC	25NB	1
7	FEEDWATER VALVE	TURNFLO	GWP	25NB	1
6	SAFETY VALVE	CONSOLIDATED	FIG 1543	25NB	1
5	MAIN STEAM VALVE	JOHNS	FIG 501	32NB	1
4	GAUGE GLASS MOUNT	KLINGER	AB12	20NB	2
3	CONTROL PANEL	HUNT	EPANEL50		1
2	PUMP	GRUNDFOS	CR1-13	25NB	1
1	BURNER	SAACKE	PA10/PAG10		1
ITEM	DESCRIPTION	MANUFACTURER	MODEL	SIZE	QTY

HUNT
 BOILERS
 A division of Forbes (Aust) Pty Ltd

THIS DRAWING WAS PREPARED BY HUNT BOILERS. THE INFORMATION IT CONTAINS IS CONFIDENTIAL AND MUST NOT BE USED, DISCLOSED OR REPRODUCED WITHOUT WRITTEN AUTHORITY.

ALL DIMENSIONS IN MILLIMETRES

DO NOT SCALE THIS DRAWING

COMPUTER AIDED DRAFT

DRAFT P.C.H.

DATE 19/02/02

PASSED

TITLE/PART
 TNS0400 (400 kW)
 REVERSE FLAME
 STEAM BOILER

PART # TNS0400GA

A4