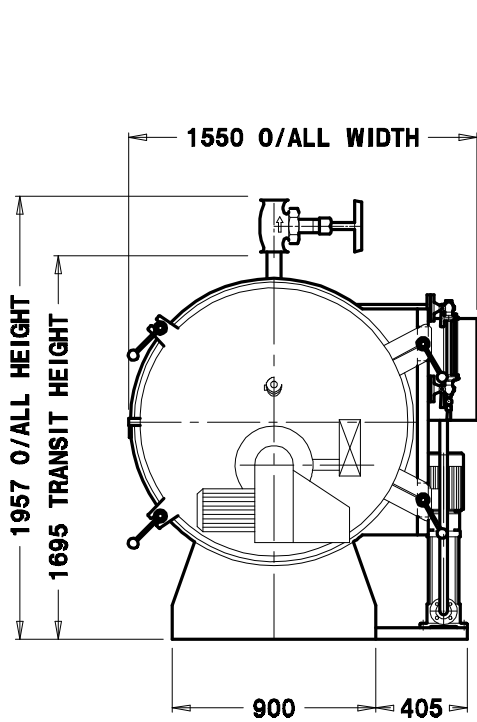
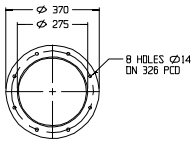
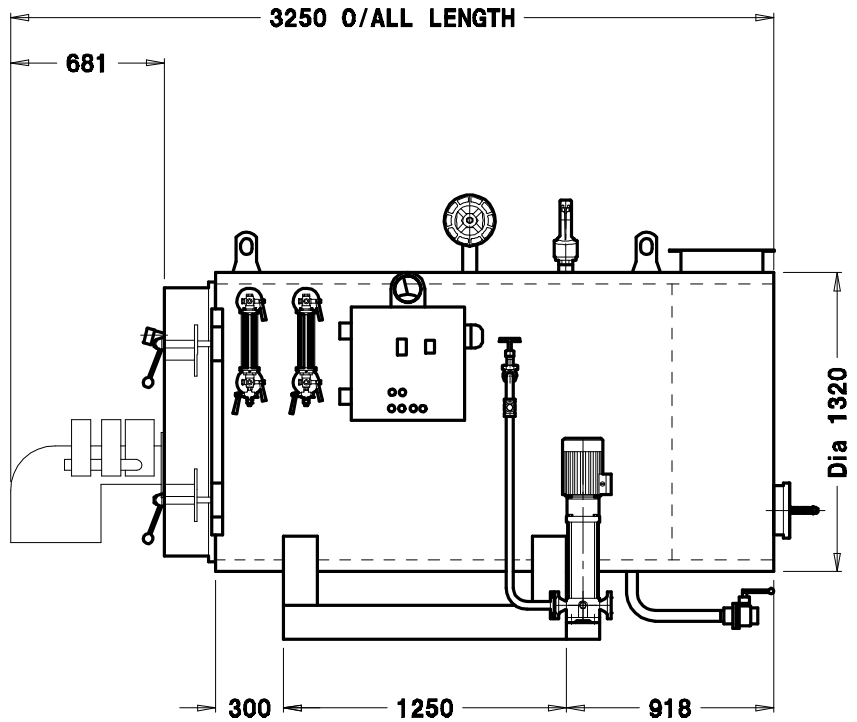


FLUE FLANGE DETAIL

TYPICAL ONLY



FRONT ELEVATION



SIDE ELEVATION

NOTE: ALL CONNECTIONS FOR SERVICES ARE THREADED BSP

SPECIFICATIONS:
REVERSE FLAME STEAM BOILER
MODEL; TNS0500
KILOWATT RATING; 500
CLASS 2B VESSEL AS1796-1986, TABLE 1.6
OPERATING PRESSURE; 700 kPa
DESIGN PRESSURE; 750 kPa
EVAPORATION; 800 kg/hr
INPUT; 2250 Mj/hr
OUTPUT; 1800 Mj/hr
DIESEL OIL; 57.8 L/hr
L.P.G.; 87.8 L/hr
NATURAL GAS; 58.1 M³/hr
SHIPPING WEIGHT; 1850 Kg
FLOODED CAPACITY; 1533 Lt

16					
15					
14	STEAM SPACE DOOR	HUNT	225 x 180		1
13	WATER SPACE DOOR	HUNT	115 x 90		2
12	PRESSURE GAUGE	TEL - TRU		100	1
11	WATER LEVEL PROBE	HUNT	WLRH0000		3
10	BLOWDOWN VALVE	PEGLER	P.H. 310	40NB	1
9	CHECK VALVE VERT	TOYO	FIG 230	25NB	1
8	CHECK VALVE HORZ	JOHNS	FIG 521	25NB	1
7	FEEDWATER VALVE	PINTOSI	FIG 2010	25NB	1
6	SAFETY VALVE	CONSOLIDATED	FIG 1543	32NB	1
5	MAIN STEAM VALVE	JOHNS	FIG 501	50NB	1
4	GAUGE GLASS MOUNT	KLINGER	AB12	20NB	2
3	CONTROL PANEL	HUNT	EPANEL50		1
2	PUMP	GRUNDFOS	CR2-130	25NB	1
1	BURNER	SAACKE	PAG10		1
ITEM	DESCRIPTION	MANUFACTURER	MODEL	SIZE	QTY

HUNT
BOILERS
 A division of Forbes (Aust) Pty Ltd

THIS DRAWING WAS PREPARED BY HUNT BOILERS. THE INFORMATION IT CONTAINS IS CONFIDENTIAL AND MUST NOT BE USED, DISCLOSED OR REPRODUCED WITHOUT WRITTEN AUTHORITY.

ALL DIMENSIONS IN MILLIMETRES	DRAFT P.C.H.	TITLE/PART TNS SERIES TNS0500 REVERSE FLAME STEAM BOILER
DO NOT SCALE THIS DRAWING	DATE 25/10/96	PART # TNS0500GA
COMPUTER AIDED DRAFT	PASSED	A4