

# HUNT BOILERS

A division of Forbes (Aust) Pty Ltd

THIS DRAWING WAS PREPARED BY HUNT BOILERS. THE INFORMATION IT CONTAINS IS CONFIDENTIAL AND MUST NOT BE USED, DISCLOSED OR REPRODUCED WITHOUT WRITTEN AUTHORITY.

ALL DIMENSIONS IN MILLIMETRES

DRAFT **P.C.H.**

PART # **VSL100GA**

A4

DO NOT SCALE THIS DRAWING

DATE **18/12/96**

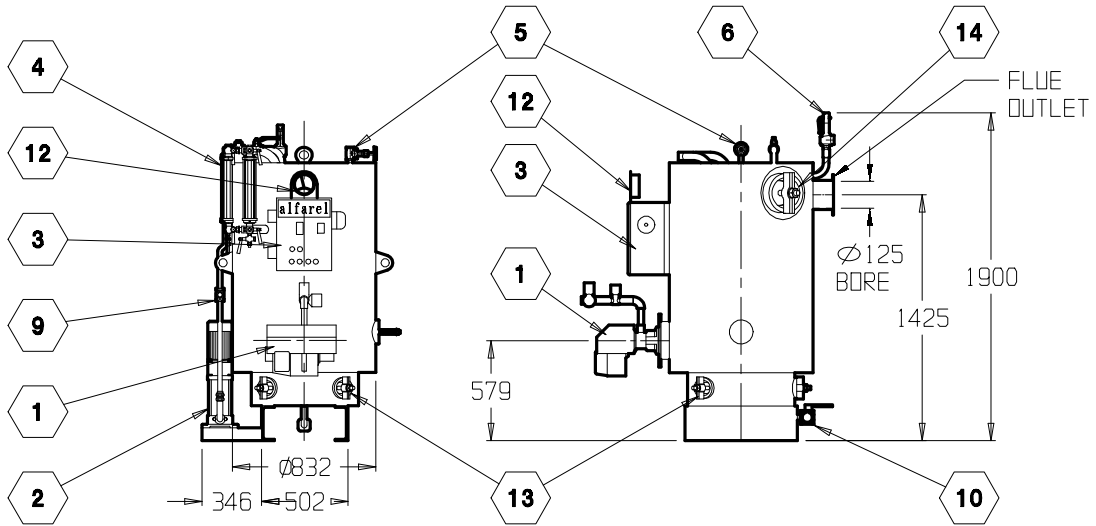
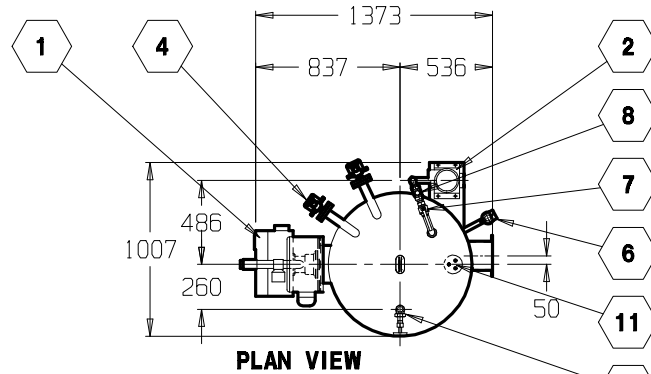
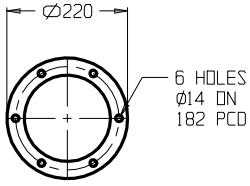
TITLE/PART

**ALFAREL VSL100 (100 kW) VERTICAL TUBELESS STEAM BOILER**

COMPUTER AIDED DRAFT

PASSED \*\*

## FLUE FLANGE DETAIL



### SPECIFICATIONS:

**VERTICAL TUBELESS STEAM BOILER**  
**MODEL; VS100/700 kPa**  
**KILOWATT RATING; 100**  
**CLASS 2B VESSEL AS1228, TABLE 1.5**

**OPERATING PRESSURE; 700 kPa**  
**DESIGN PRESSURE; 750 kPa**  
**EVAPORATION; 159.7 kg/hr**  
**INPUT; 450 Mj/hr**  
**OUTPUT; 360 Mj/hr**  
**DIESEL OIL; 11.6 L/hr**  
**L.P.G.; 17.6 L/hr**  
**NATURAL GAS; 11.6 M<sup>3</sup>/hr**  
**HEATING SURFACE; 3.50 M<sup>2</sup>**  
**SHIPPING WEIGHT; 820 KILOGRAMS**  
**FLOODED CAPACITY; 285 LITRES**  
**OPERATING CAPACITY; 200 LITRES**  
**FOOTPRINT AREA; 915 CM<sup>2</sup>**

**NOTE: ALL CONNECTIONS FOR SERVICES ARE THREADED BSP**

ITEM	DESCRIPTION	MANUFACTURER	MODEL	SIZE	QTY
14	STEAM SPACE DOOR	HUNT	180 x 125		1
13	WATER SPACE DOOR	HUNT	115 x 90		3
12	PRESSURE GAUGE	DOBBIE	GPO-2500	100	1
11	WATER LEVEL PROBE	HUNT	WLPH0000		3
10	BLOWDOWN VALVE	PEGLER	P.H.310	20NB	1
9	CHECK VALVE VERT	TOYO	FIG 231	20NB	1
8	CHECK VALVE HORZ	JOHNS	FIG 521	20NB	1
7	FEEDWATER VALVE	PINTOSSI	FIG 2010	20NB	1
6	SAFETY VALVE	CONSOLIDATED	FIG 1543	20NB	1
5	MAIN STEAM VALVE	JOHNS	FIG 501	20NB	1
4	GAUGE GLASS MOUNT	KLINGER	AB12	20NB	2
3	CONTROL PANEL	HUNT	EPANEL50		1
2	PUMP	GRUNDFOS	CR1-17	25NB	1
1	BURNER	SAACKE	150GE		1