

HUNT BOILERS

A division of Forbes (Aust) Pty Ltd

THIS DRAWING WAS PREPARED BY HUNT BOILERS. THE INFORMATION IT CONTAINS IS CONFIDENTIAL AND MUST NOT BE USED, DISCLOSED OR REPRODUCED WITHOUT WRITTEN AUTHORITY.

ALL DIMENSIONS IN MILLIMETRES

DRAFT **P.C.H.**

PART # **VSL150GA**

A4

DO NOT SCALE THIS DRAWING

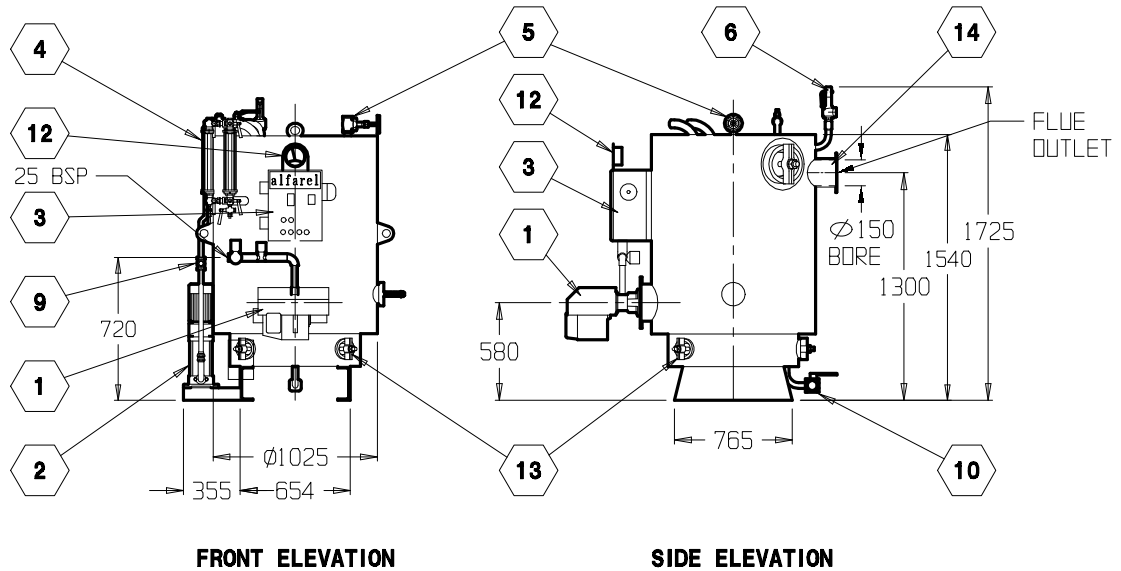
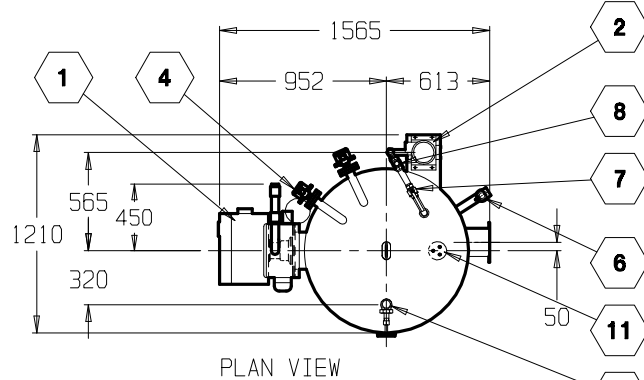
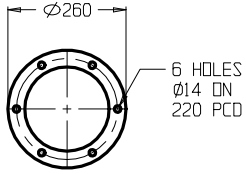
DATE **18/12/96**

TITLE/PART
**ALFAREL VSL150 (150 kW)
VERTICAL TUBELESS
STEAM BOILER**

COMPUTER AIDED DRAFT

PASSED
**

FLUE FLANGE DETAIL



SPECIFICATIONS:

VERTICAL TUBELESS STEAM BOILER
MODEL; VS150/700 kPa
KILOWATT RATING; 150
CLASS 2B VESSEL AS1228, TABLE 1.5

OPERATING PRESSURE; 700 kPa
DESIGN PRESSURE; 750 kPa
EVAPORATION; 239.5 kg/hr
INPUT; 675 Mj/hr
OUTPUT; 540 Mj/hr
DIESEL OIL; 17.4 L/hr
L.P.G.; 26.3 L/hr
NATURAL GAS; 17.4 M³/hr
HEATING SURFACE; 4.98 M²
SHIPPING WEIGHT; 1173 KILOGRAMS
FLOODED CAPACITY; 402 LITRES
OPERATING CAPACITY; 287 LITRES
FOOTPRINT AREA; 1050 CM²

NOTE: ALL CONNECTIONS FOR SERVICES ARE THREADED BSP

ITEM	DESCRIPTION	MANUFACTURER	MODEL	SIZE	QTY
14	STEAM SPACE DOOR	HUNT	225 x 180		1
13	WATER SPACE DOOR	HUNT	115 x 90		2
12	PRESSURE GAUGE	DOBBIE	GPO-2500	100	1
11	WATER LEVEL PROBE	HUNT	WLPH0000		3
10	BLOWDOWN VALVE	R.V.	1000	25NB	1
9	CHECK VALVE VERT	TOYO	FIG 230	20NB	1
8	CHECK VALVE	KEMPE	3PC	20NB	1
7	FEEDWATER VALVE	TURNFLO	GWP	20NB	1
6	SAFETY VALVE	CONSOLIDATED	FIG 1543	20NB	1
5	MAIN STEAM VALVE	JOHNS	FIG 501	25NB	1
4	GAUGE GLASS MOUNT	KLINGER	AB12	20NB	2
3	CONTROL PANEL	HUNT	EPANEL50		1
2	PUMP	GRUNDFOS	CR1-17	25NB	1
1	BURNER	SAACKE	150GE		1