

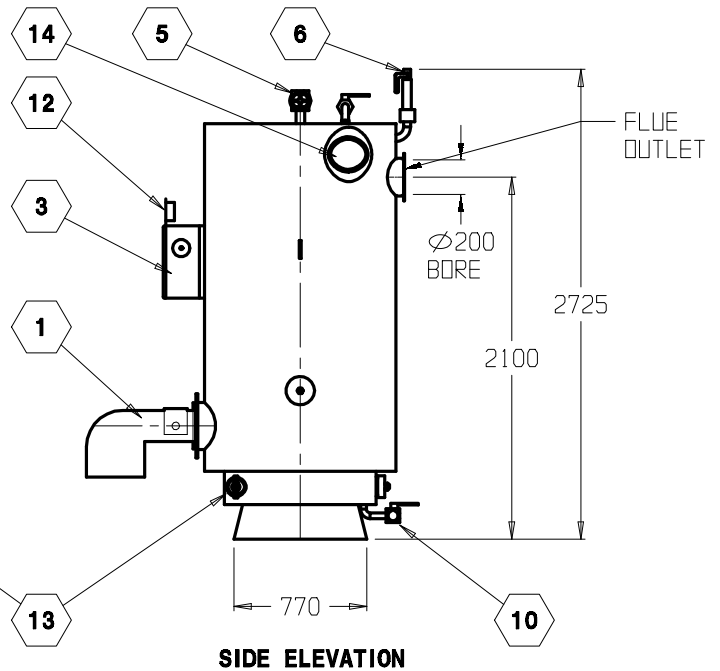
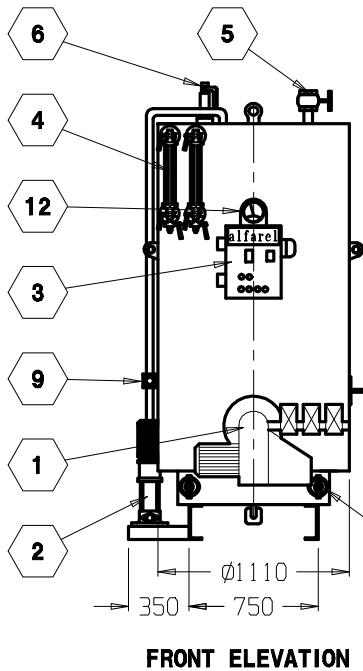
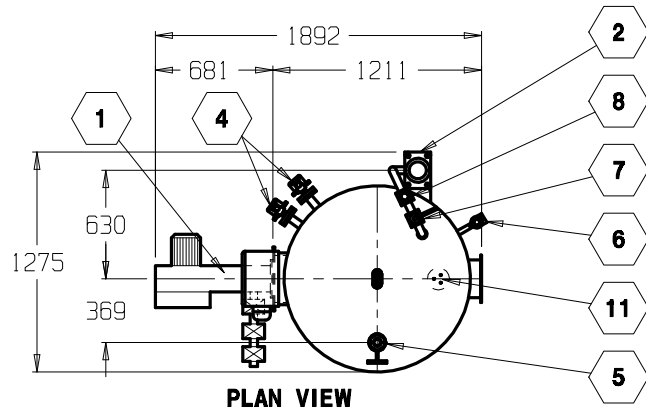
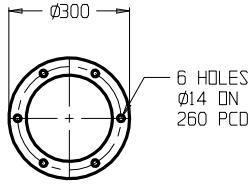
# HUNT BOILERS

A division of Forbes (Aust) Pty Ltd

THIS DRAWING WAS PREPARED BY HUNT BOILERS. THE INFORMATION IT CONTAINS IS CONFIDENTIAL AND MUST NOT BE USED, DISCLOSED OR REPRODUCED WITHOUT WRITTEN AUTHORITY.

ALL DIMENSIONS IN MILLIMETRES	DRAFT <b>P.C.H.</b>	PART # <b>VSL300GA</b>	A4
DO NOT SCALE THIS DRAWING	DATE <b>12/12/96</b>	TITLE/PART <b>ALFAREL VSL300 (300 kW) VERTICAL TUBELESS STEAM BOILER</b>	
COMPUTER AIDED DRAFT	PASSED <b>**</b>		

## FLUE FLANGE DETAIL



### SPECIFICATIONS:

**VERTICAL TUBELESS STEAM BOILER**  
**MODEL; VS300/700 kPa**  
**KILOWATT RATING; 300**  
**CLASS 2B VESSEL AS1228, TABLE 1.5**

**OPERATING PRESSURE; 700 kPa**  
**DESIGN PRESSURE; 750 kPa**  
**EVAPORATION; 479.1 kg/hr**  
**INPUT; 1350 MJ/hr**  
**OUTPUT; 1080 MJ/hr**  
**DIESEL OIL; 34.7 L/hr**  
**L.P.G.; 52.7 L/hr**  
**NATURAL GAS; 34.9 M<sup>3</sup>/hr**  
**HEATING SURFACE; 8.84 M<sup>2</sup>**  
**SHIPPING WEIGHT; 2138 KILOGRAMS**  
**FLOODED CAPACITY; 851 LITRES**  
**OPERATING CAPACITY; 592 LITRES**  
**FOOTPRINT AREA; 1155 CM<sup>2</sup>**

**NOTE: ALL CONNECTIONS FOR SERVICES ARE THREADED BSP**

ITEM	DESCRIPTION	MANUFACTURER	MODEL	SIZE	QTY
14	STEAM SPACE DOOR	HUNT	225 x 180		1
13	WATER SPACE DOOR	HUNT	115 x 90		3
12	PRESSURE GAUGE	DOBBIE	GPO-2500	100	1
11	WATER LEVEL PROBE	HUNT	WLPH0000		3
10	BLOWDOWN VALVE	PEGLER	P.H.310	25NB	1
9	CHECK VALVE VERT	TOYO	FIG 230	25NB	1
8	CHECK VALVE HORZ	JOHNS	FIG 521	25NB	1
7	FEEDWATER VALVE	PINTOSSI	FIG 2010	25NB	1
6	SAFETY VALVE	CONSOLIDATED	FIG 1543	25NB	1
5	MAIN STEAM VALVE	JOHNS	FIG 501	32NB	1
4	GAUGE GLASS MOUNT	KLINGER	AB12	20NB	2
3	CONTROL PANEL	HUNT	EPANEL50		1
2	PUMP	GRUNDFOS	CR2-130	25NB	1
1	BURNER	SAACKE	PA10/PAG10		1