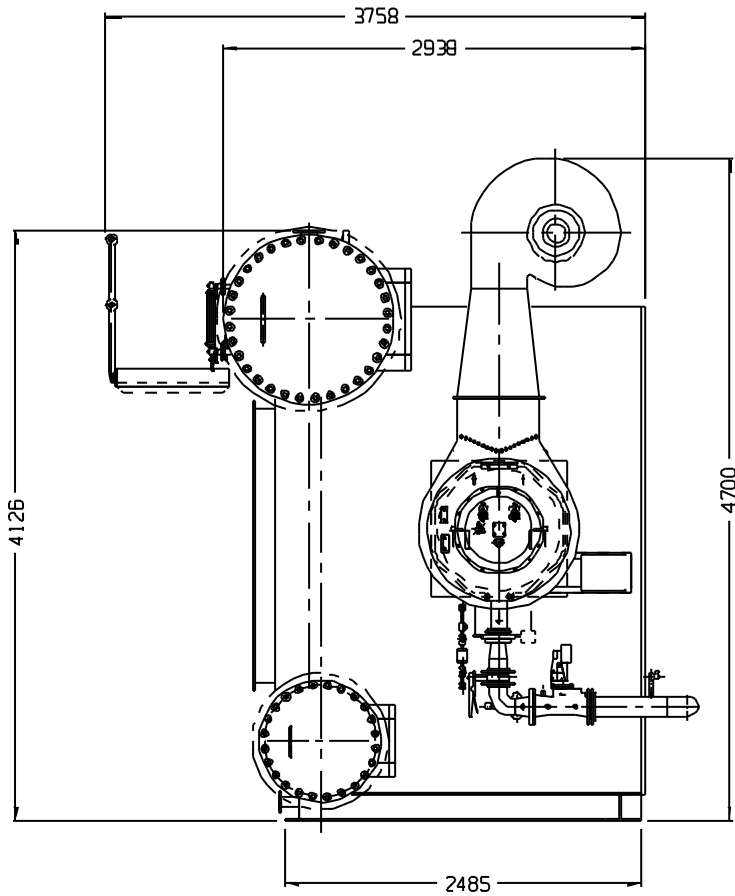
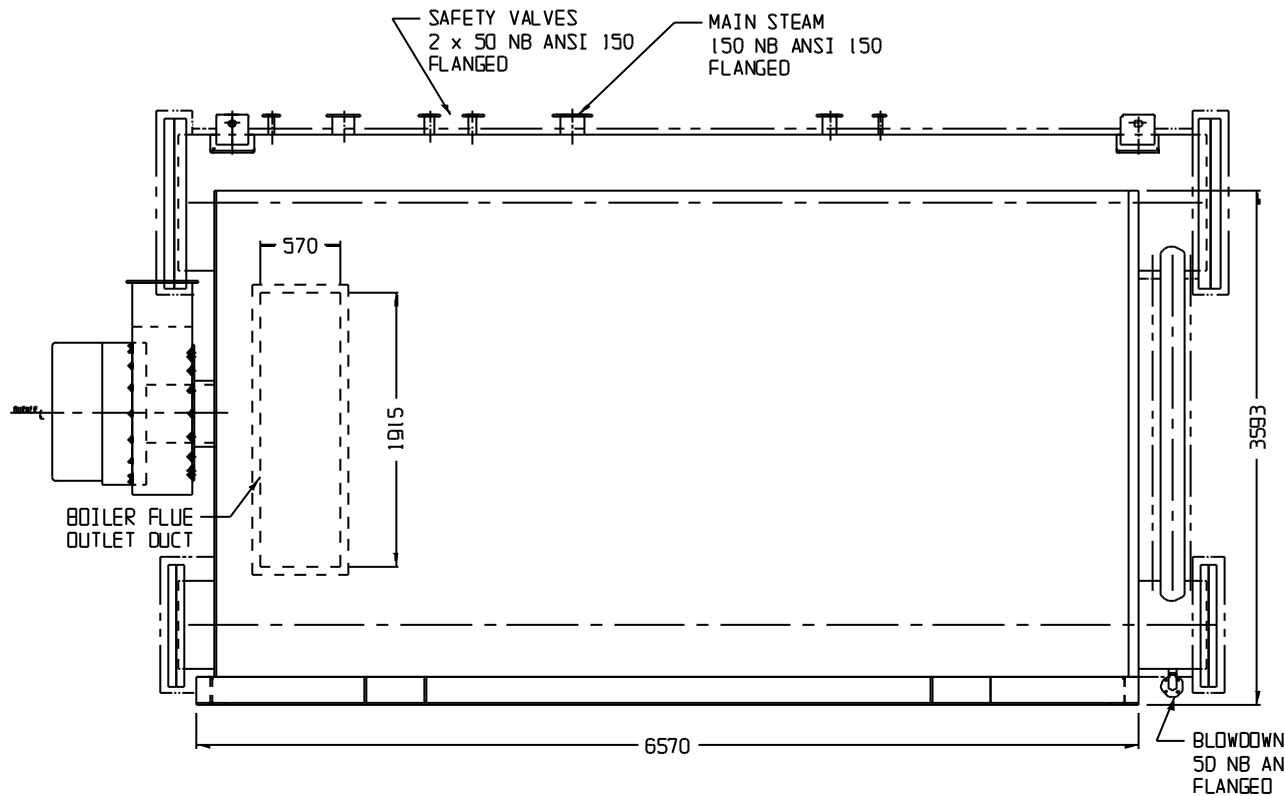
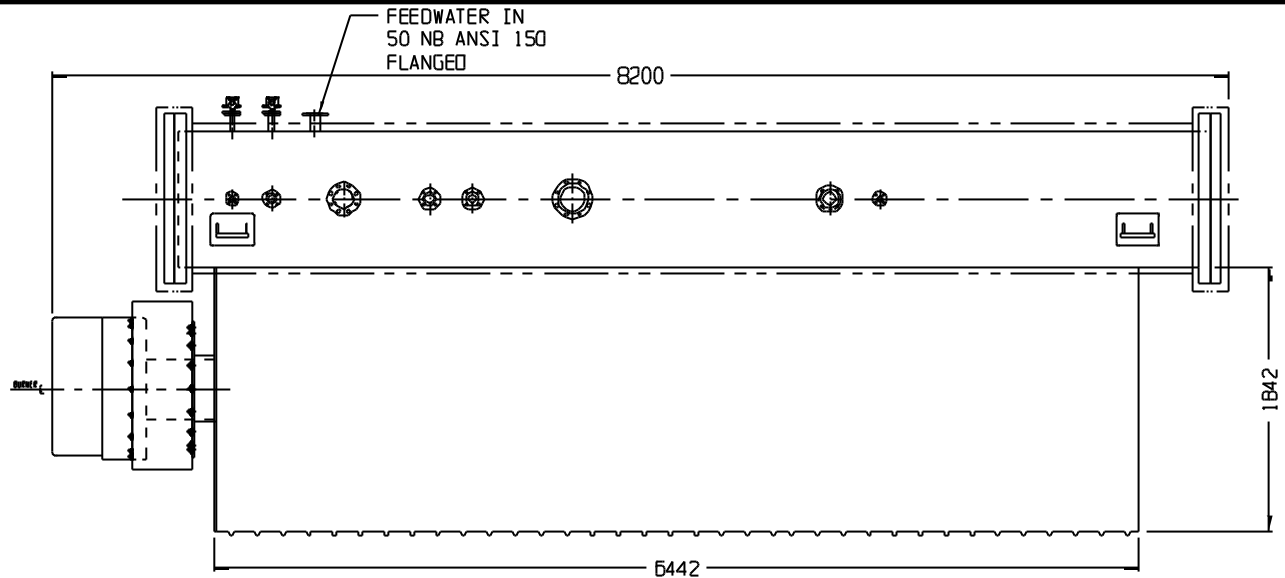


Design Data:  
 Design Code Reference: AS1228-1997  
 Vessel class: One  
 Rated Output: 10 MW (10000 kW)  
 Design Pressure: 1200 kPa (12 bar)  
 Hydrostatic test pressure: 1800 kPa  
 Transport Mass: 22.4 Tonne  
 Flooded Mass: 32.1 Tonne

Top drum OD: 946  
 Bottom drum OD: 610  
 Downcomer OD: 168  
 Insulation: 50mm Rockwool



<table border="1"> <tr> <td>1</td> <td>REDRAWN</td> <td></td> <td></td> </tr> <tr> <td>NO</td> <td>REVISION</td> <td>DATE</td> <td>CKD</td> </tr> </table>		1	REDRAWN			NO	REVISION	DATE	CKD	<p>THIRD ANGLE PROJECTION</p>	<p><b>HUNT</b>  <b>BOILERS</b>                  A division of Forbes (Aust) Pty Ltd</p>	<p>THIS DRAWING WAS PREPARED BY HUNT BOILERS. THE INFORMATION IT CONTAINS IS CONFIDENTIAL AND MUST NOT BE USED, DISCLOSED OR REPRODUCED WITHOUT WRITTEN AUTHORITY.</p>	<p>ALL DIMENSIONS IN MILLIMETRES</p> <p>DO NOT SCALE THIS DRAWING</p> <p>COMPUTER AIDED DRAFT</p>	<p>DRAFT <b>P.C.H.</b></p> <p>DATE 18/02/04</p> <p>PASSED J.T.</p>	<p>TITLE/PART                  Hunt WT-10MW                  Water tube steam boiler                  General Arrangement</p> <p>PART #                  WT-10-GA-Low</p>	<p>A4</p>
1	REDRAWN															
NO	REVISION	DATE	CKD													