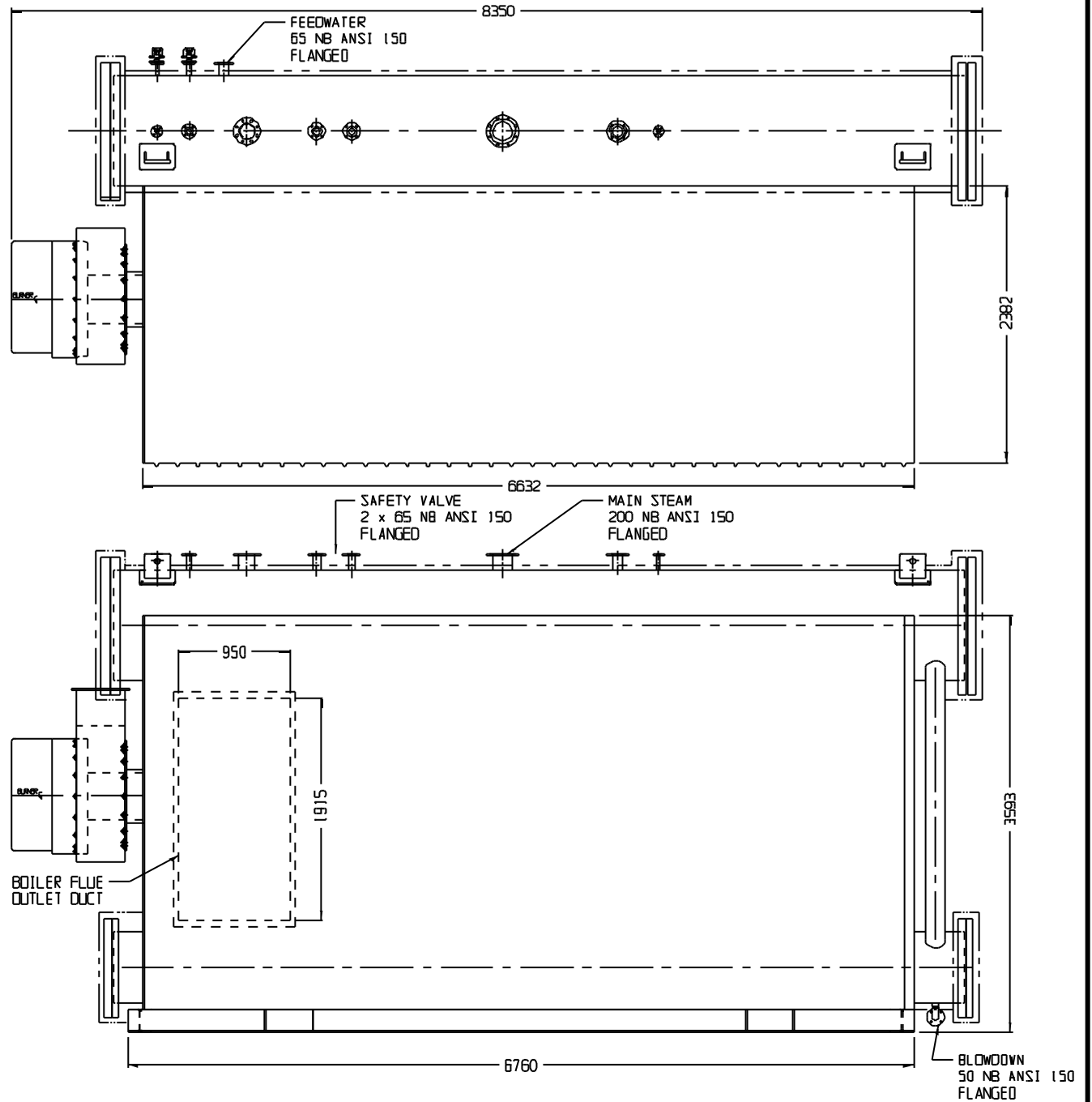
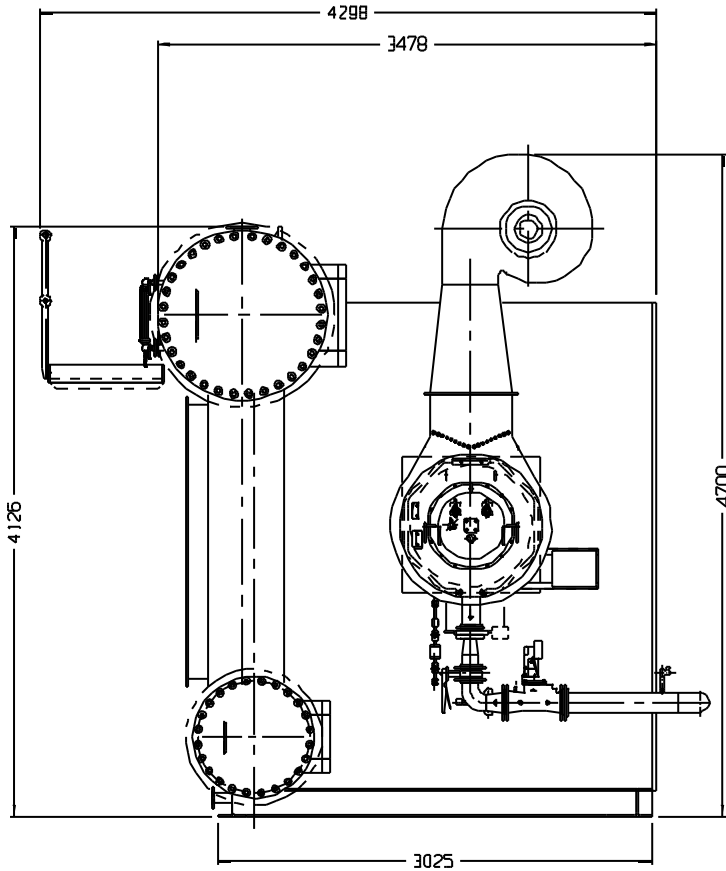


Design Data:
 Design Code Reference: AS1228-1997
 Vessel class: One
 Rated Output: 12 MW (12000 kW)
 Design Pressure: 1200 kPa (12 bar)
 Hydrostatic test pressure: 1800 kPa
 Transport Mass: 24.5 Tonne
 Flooded Mass: 34.8 Tonne

Top drum OD: 946
 Bottom drum OD: 610
 Downcomer OD: 168
 Insulation: 50mm Rockwool



				 THIRD ANGLE PROJECTION	HUNT BOILERS A division of Forbes (Aust) Pty Ltd	THIS DRAWING WAS PREPARED BY HUNT BOILERS. THE INFORMATION IT CONTAINS IS CONFIDENTIAL AND MUST NOT BE USED, DISCLOSED OR REPRODUCED WITHOUT WRITTEN AUTHORITY.	ALL DIMENSIONS IN MILLIMETRES	DRAFT P.C.H.	TITLE/PART Hunt WT-12NM Water tube steam boiler General Arrangement
0	Original issue						DO NOT SCALE THIS DRAWING	DATE 18/02/04	PASSED