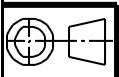
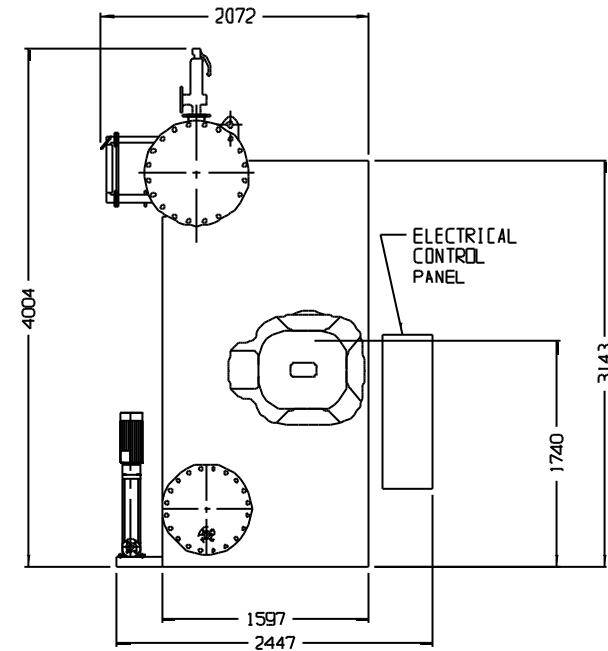
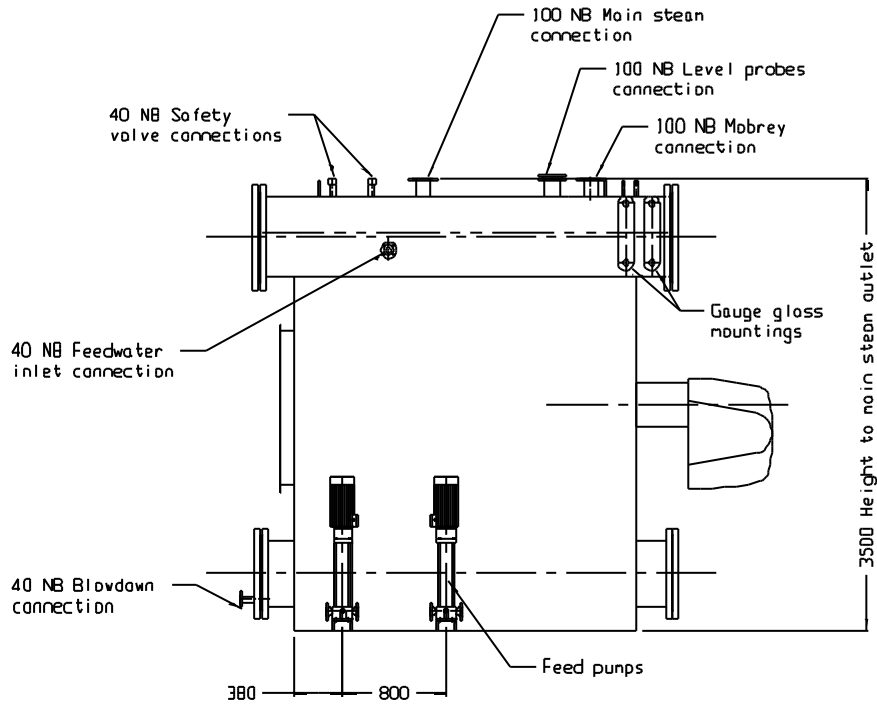


Design Data:
 Design Code Reference: AS1228-1997
 Vessel class: One
 Rated Output: 1.5 MW (1500 kW)
 Design Pressure: 1200 kPa (12 bar)
 Hydrostatic test pressure: 1800 kPa
 Transport Mass: 8.5 Tonne
 Flooded Mass: 11.0 Tonne
 Top drum OD: 610
 Bottom drum OD: 610
 Insulation: 50mm Rockwool



HUNT
BOILERS

A division of Forbes (Aust) Pty Ltd

THIS DRAWING WAS PREPARED BY HUNT BOILERS. THE INFORMATION IT CONTAINS IS CONFIDENTIAL AND MUST NOT BE USED, DISCLOSED OR REPRODUCED WITHOUT WRITTEN AUTHORITY.

ALL DIMENSIONS
IN MILLIMETRES

DO NOT SCALE
THIS DRAWING

COMPUTER
AIDED DRAFT

DRAFT
P.C.H.

DATE
03/03/04

PASSED
**

TITLE/PART
GENERAL ARRANGEMENT
HUNT WT 1.5MW
"D" TYPE STEAM BOILER

PART #
WT1.5MW-GA

NO	REVISION	DATE	CKD
	ORIGINAL ISSUE		

A4