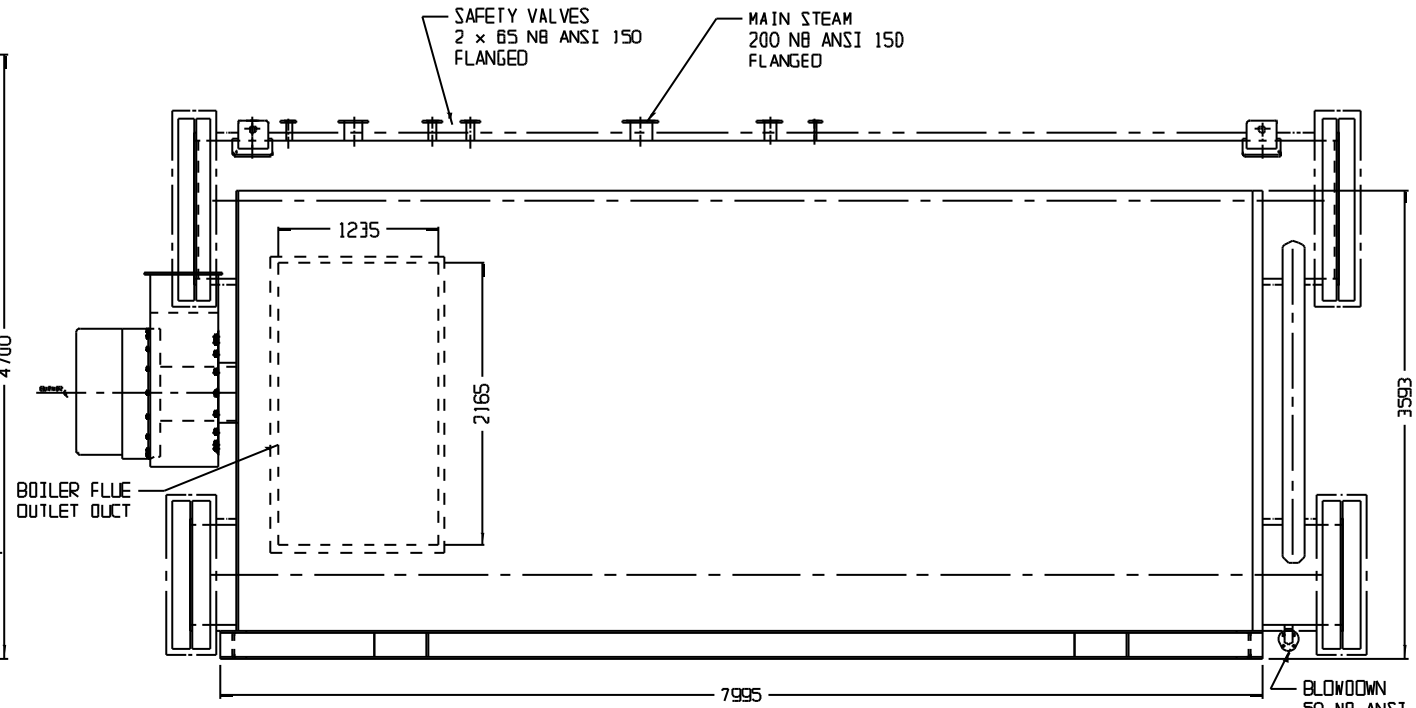
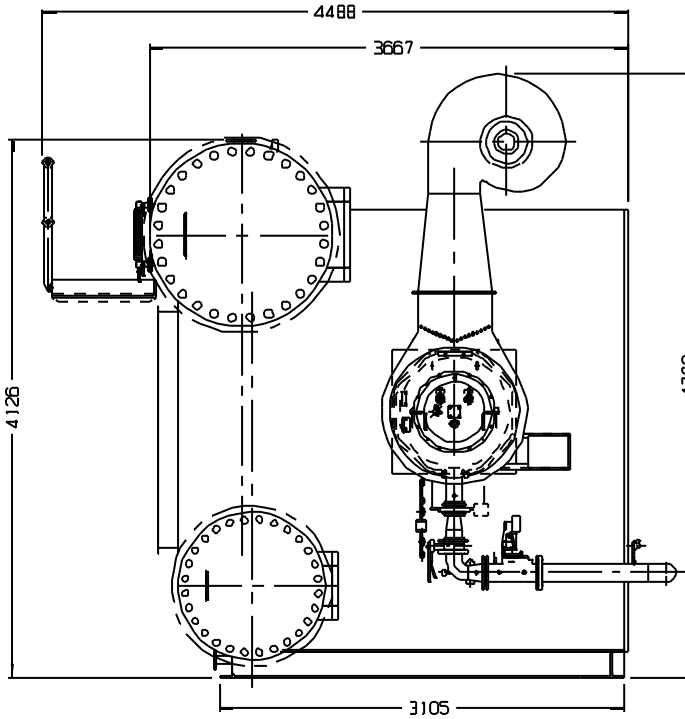
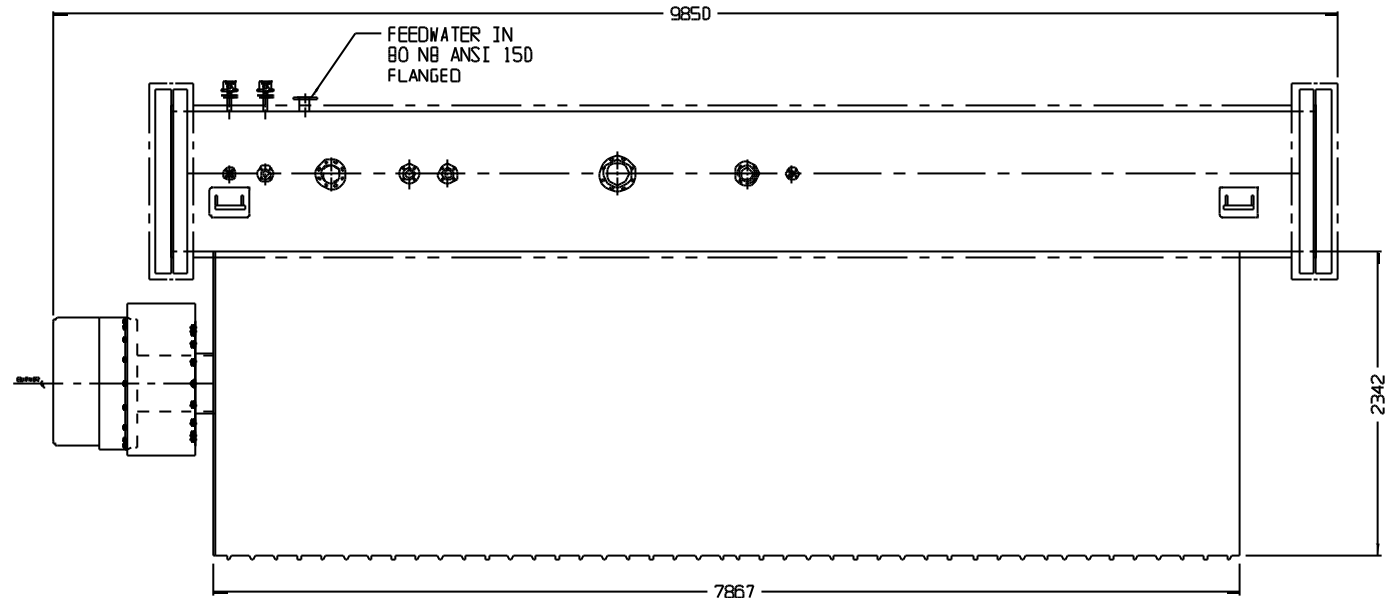


Design Data:
 Design Code Reference: AS1228-1997
 Vessel class: One
 Rated Output: 15 MW (15000 kW)
 Design Pressure: 1200 kPa (12 bar)
 Hydrastatic test pressure: 1800 kPa
 Transport Mass: 32.0 Tonne
 Flooded Mass: 47.3 Tonne
 Top drum OD: 1067
 Bottom drum OD: 762
 Downcomer OD: 220
 Insulation: 50mm Rockwool



0	Original issue	DATE	CKD	 HUNT BOILERS A division of Forbes (Aust) Pty Ltd	THIS DRAWING WAS PREPARED BY HUNT BOILERS. THE INFORMATION IT CONTAINS IS CONFIDENTIAL AND MUST NOT BE USED, DISCLOSED OR REPRODUCED WITHOUT WRITTEN AUTHORITY.	ALL DIMENSIONS IN MILLIMETRES DO NOT SCALE THIS DRAWING COMPUTER AIDED DRAFT	DRAFT P.C.H. DATE 12/02/04 PASSED J.T.	TITLE/PART Hunt WT-15MW Water tube steam boiler General Arrangement PART # WT-15-GA	A4
NO	REVISION	DATE	CKD			THIRD ANGLE PROJECTION			