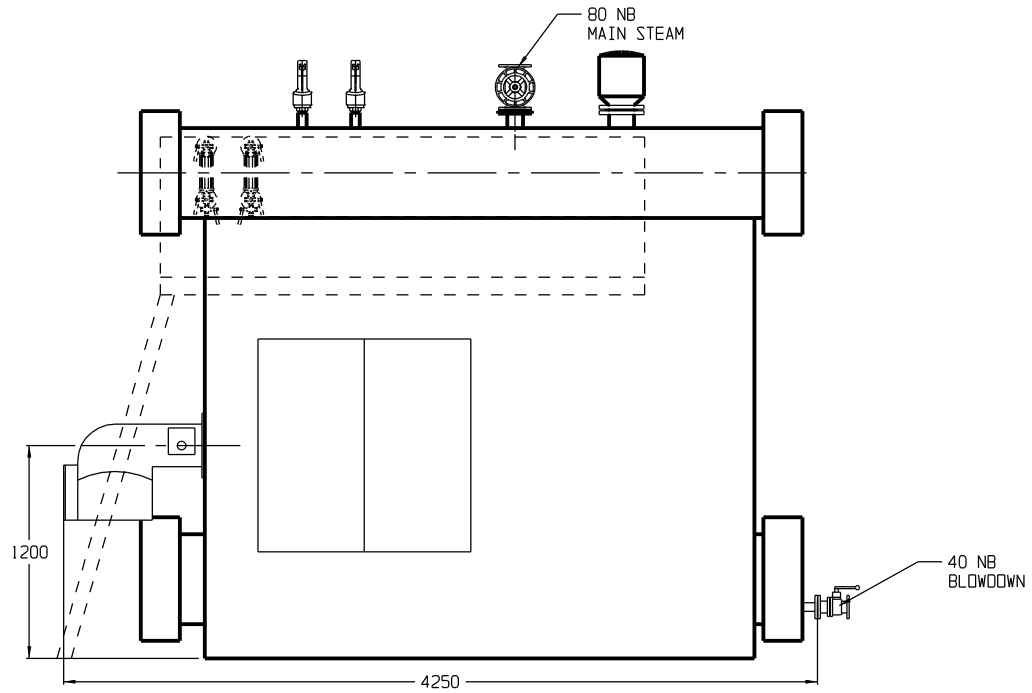
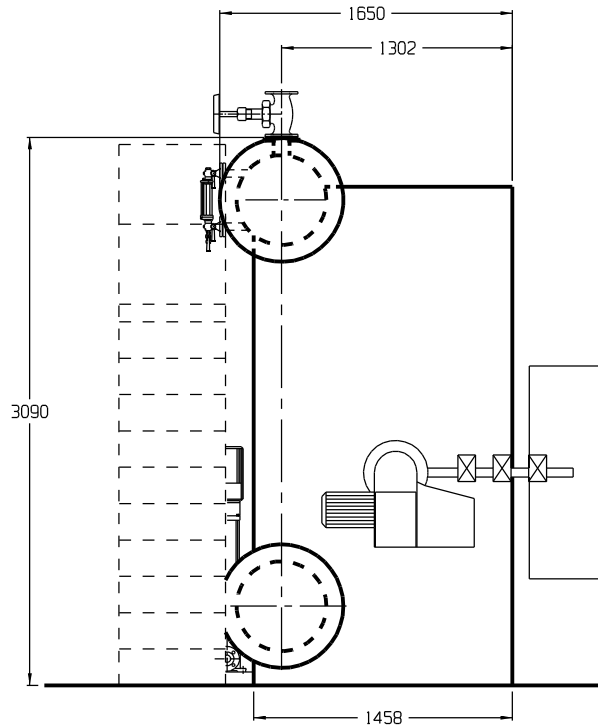
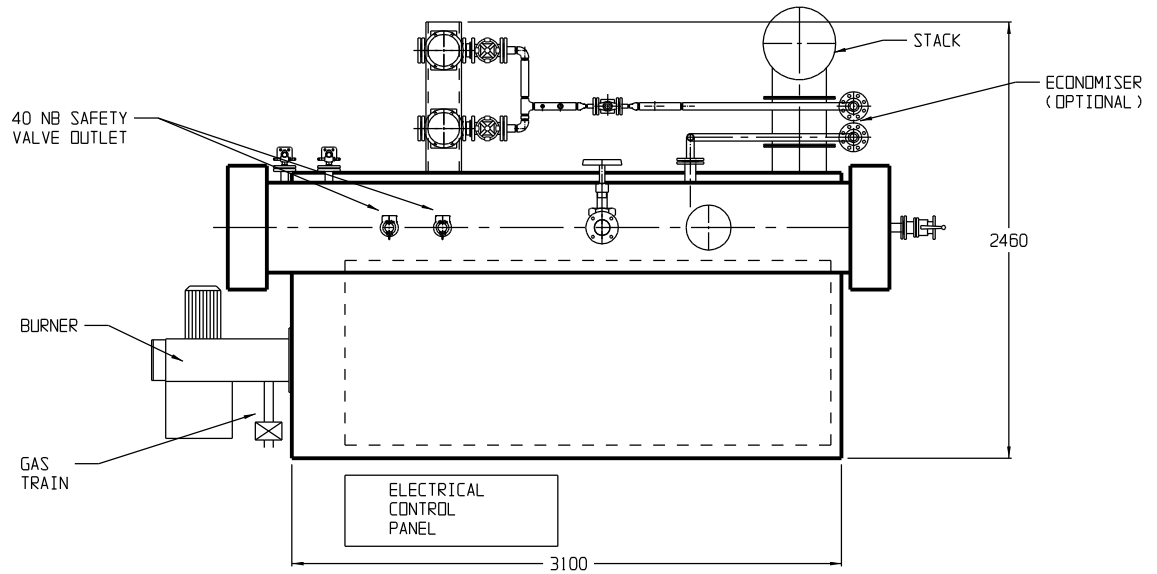


Design Data:
 Design Code Reference: AS1228-1997
 Vessel class: One
 Rated Output: 2 MW (2000 kW)
 Input: 9000 Mj/hr
 Output: 7200 Mj/hr
 Evaporation (kg/hr f & a 100°C: 3194
 Design Pressure: 1200 kPa (12 bar)
 Hydrostatic test pressure: 1800 kPa
 Transport Mass: 8.0 Tonne
 Flooded Mass: 10.5 Tonne

Top drum OD: 600NB
 Bottom drum OD: 600NB
 Insulation: 50mm Rockwool



NO	REVISION	DATE	CKD	THIRD ANGLE PROJECTION
	Original issue			

HUNT
BOILERS
 A division of Forbes (Aust) Pty Ltd

THIS DRAWING WAS PREPARED BY HUNT BOILERS. THE INFORMATION IT CONTAINS IS CONFIDENTIAL AND MUST NOT BE USED, DISCLOSED OR REPRODUCED WITHOUT WRITTEN AUTHORITY.

ALL DIMENSIONS IN MILLIMETRES	DRAFT P.A.W.	TITLE/PART
DO NOT SCALE THIS DRAWING	DATE 10/12/01	WT 2MW D-type water tube steam boiler general arrangement
COMPUTER AIDED DRAFT	PASSED **	PART # WT2MW-98