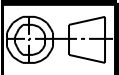
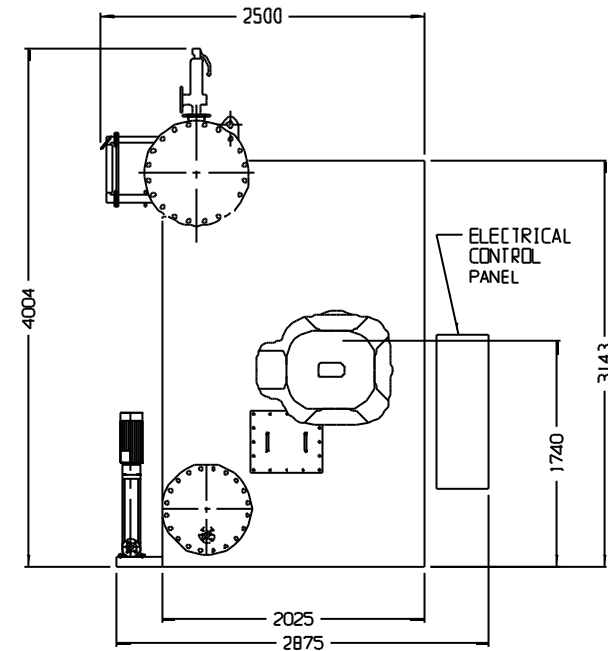
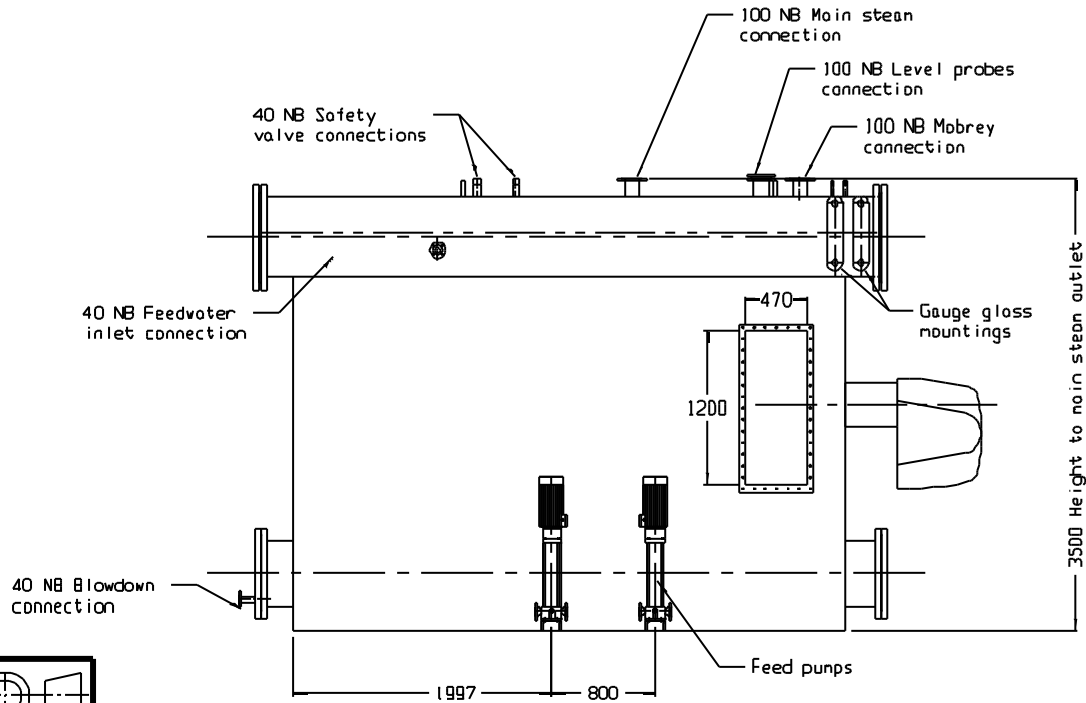


Design Data:
 Design Code Reference: AS1228-1997
 Vessel class: Dne
 Rated Output: 2.5 MW (2500 kW)
 Design Pressure: 1200 kPa (12 bar)
 Hydrostatic test pressure: 1800 kPa
 Transport Mass: 9.5 Tonne
 Flooded Mass: 12.9 Tonne

Top drum OD: 610
 Bottom drum OD: 610
 Insulation: 50mm Rockwool



HUNT
 BOILERS

A division of Forbes (Aust) Pty Ltd

THIS DRAWING WAS PREPARED BY HUNT BOILERS. THE INFORMATION IT CONTAINS IS CONFIDENTIAL AND MUST NOT BE USED, DISCLOSED OR REPRODUCED WITHOUT WRITTEN AUTHORITY.

ALL DIMENSIONS IN MILLIMETRES

DO NOT SCALE THIS DRAWING

COMPUTER AIDED DRAFT

DRAFT **P.C.H.**

DATE 13/06/03

PASSED **

TITLE/PART
 GENERAL ARRANGEMENT
 HUNT WT 2.5MW
 "D" TYPE STEAM BOILER

PART #
 WT2.5MW-GA

A4

NO	REVISION	DATE	CKD