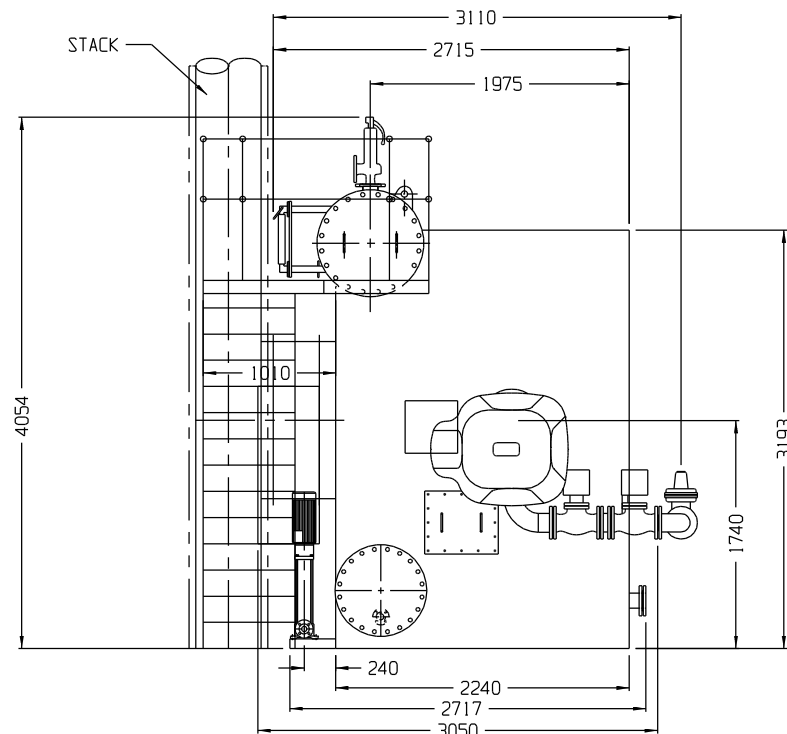
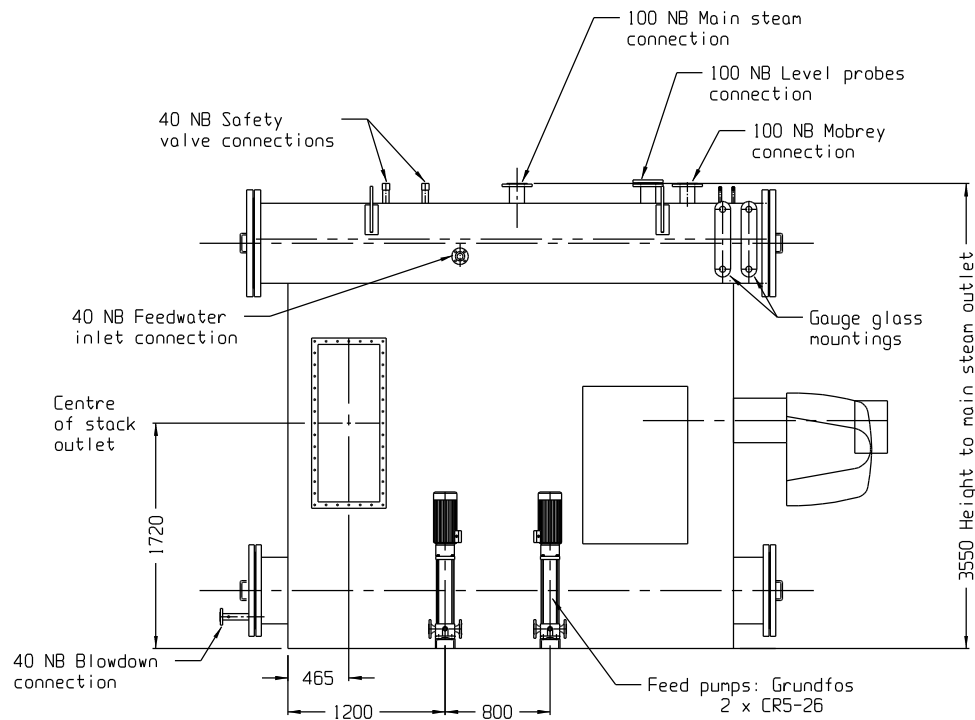
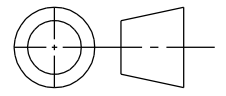


Design Data:
 Design Code Reference: AS1228-1997
 Vessel class: One
 Rated Output: 3 MW (3000 kW)
 Design Pressure: 1200 kPa (12 bar)
 Hydrostatic test pressure: 1800 kPa
 Transport Mass: 14.1 Tonne
 Flooded Mass: 19.2 Tonne
 Top drum OD: 600NB
 Bottom drum OD: 500NB
 Insulation: 50mm Rockwool



Filename & path: P:\Boiler Drawings\Hunt EWT dwgs\EWT3MW\WT3MW-GA.prt

0	Original issue		
NO	REVISION	DATE	CKD



THIRD ANGLE PROJECTION

HUNT
BOILERS
 A division of Forbes (Aust) Pty Ltd

THIS DRAWING WAS PREPARED BY HUNT BOILERS. THE INFORMATION IT CONTAINS IS CONFIDENTIAL AND MUST NOT BE USED, DISCLOSED OR REPRODUCED WITHOUT WRITTEN AUTHORITY.

ALL DIMENSIONS IN MILLIMETRES	DRAFT P.A.W.	TITLE/PART
DO NOT SCALE THIS DRAWING	DATE 14/06/02	General arrangement Hunt WT 3MW D-Type Steam Boiler
COMPUTER AIDED DRAFT	PASSED **	PART # WT3MW-GA

A3