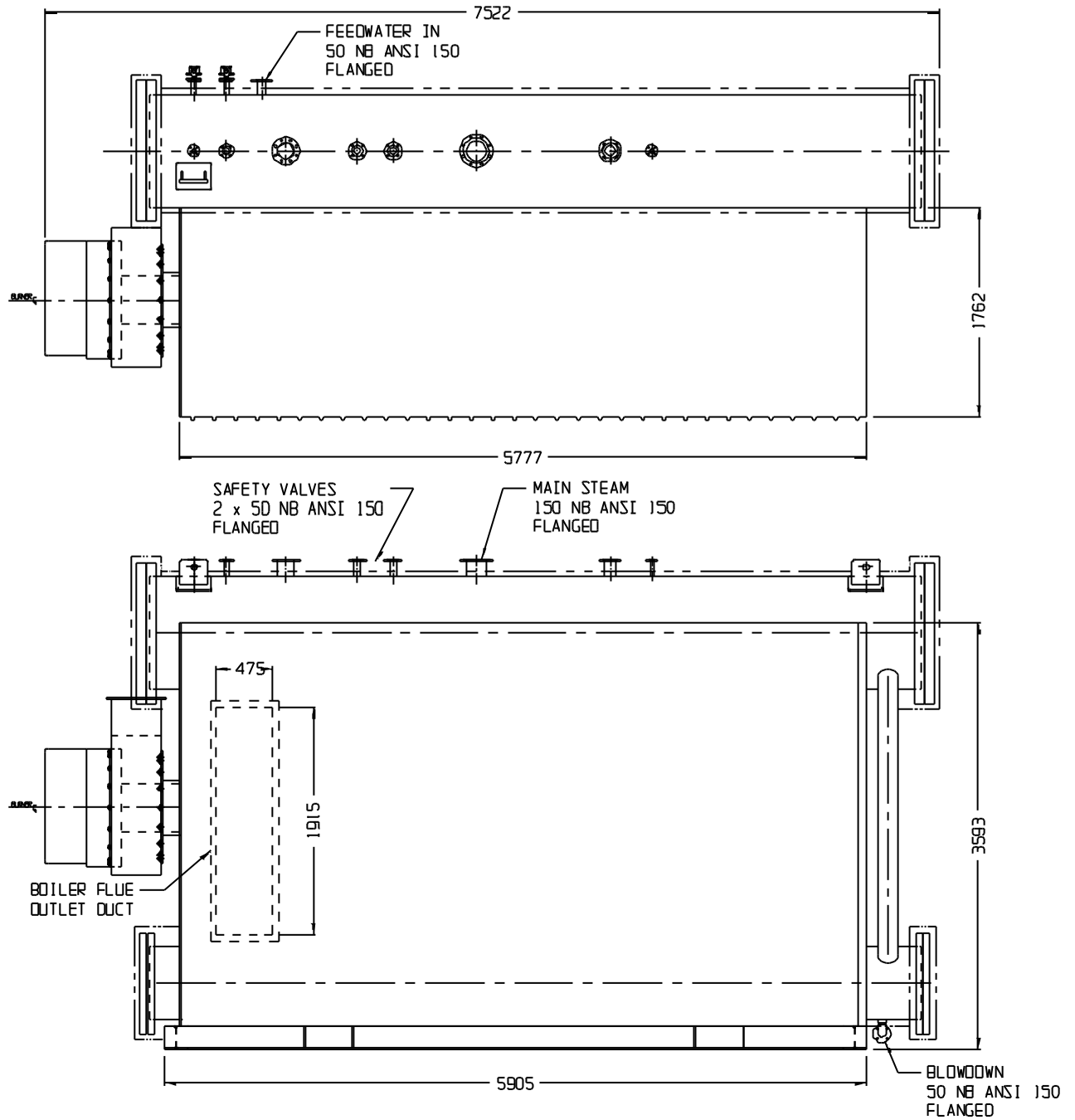
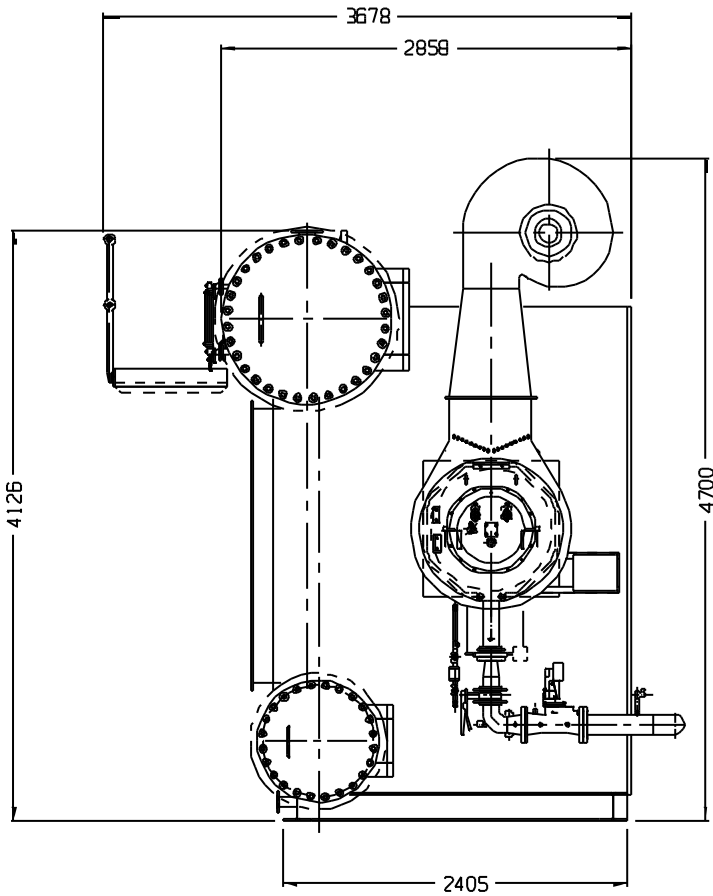
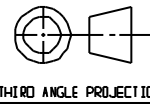


Design Data:
 Design Code Reference: AS1228-1997
 Vessel class: One
 Rated Output: 8 MW (8000 kW)
 Design Pressure: 1200 kPa (12 bar)
 Hydrostatic test pressure: 1800 kPa
 Transport Weight: 19.5 Tonne
 Flooded Weight: 29.5 Tonne

Top drum OD: 946
 Bottom drum OD: 610
 Downcomer OD: 168
 Insulation: 50mm Rockwool



1	REDRAWN	10/03/04	J.T.
0	Original issue	17/09/02	N.B.
NO	REVISION	DATE	CKD



HUNT
BOILERS
 A division of Forbes (Aust) Pty Ltd

THIS DRAWING WAS PREPARED BY HUNT BOILERS. THE INFORMATION IT CONTAINS IS CONFIDENTIAL AND MUST NOT BE USED, DISCLOSED OR REPRODUCED WITHOUT WRITTEN AUTHORITY.

ALL DIMENSIONS IN MILLIMETRES	DRAFT	TITLE/PART
DO NOT SCALE THIS DRAWING	P.A.W.	Hunt WT-8MW
COMPUTER AIDED DRAFT	DATE	Water tube steam boiler
	17/09/02	General Arrangement
	PASSED	PART #
	N.B.	WT-8-GA